

Set ARA 180/72

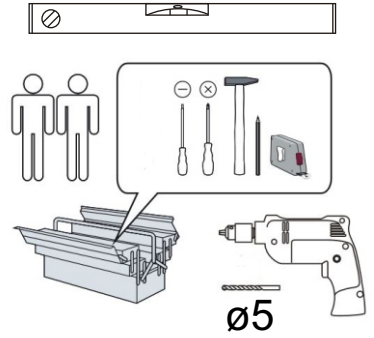
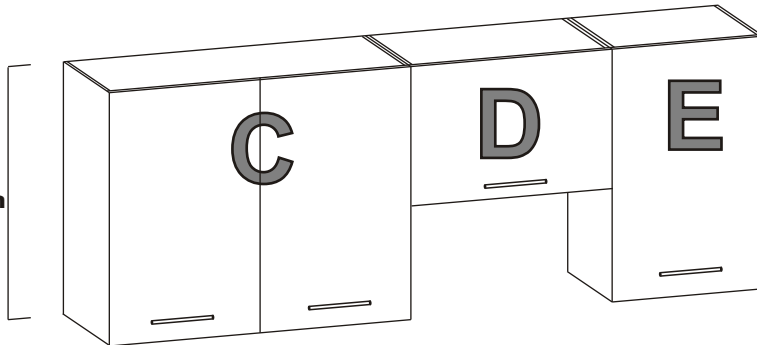
1/24



meble
okmed
DEMKO

POLSKA 14-500 Braniewo ul. Kolejowa 13
www.mebleokmed.pl tel. (+48) 55 243-02-41

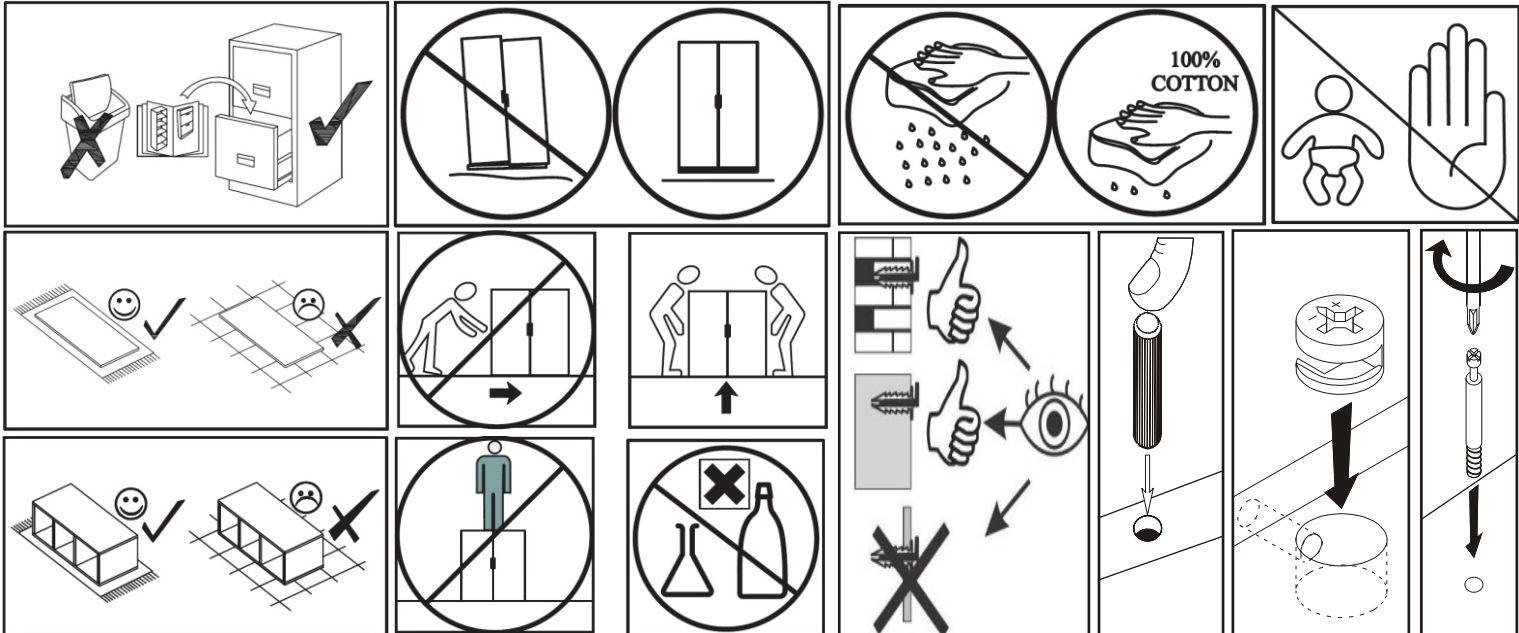
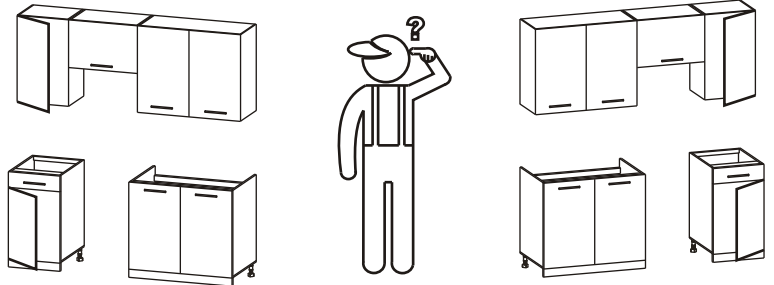
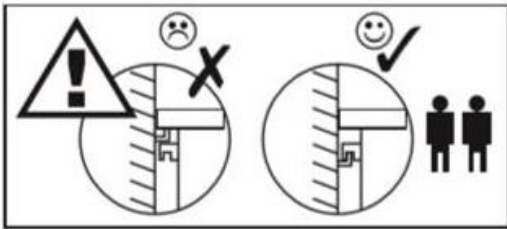
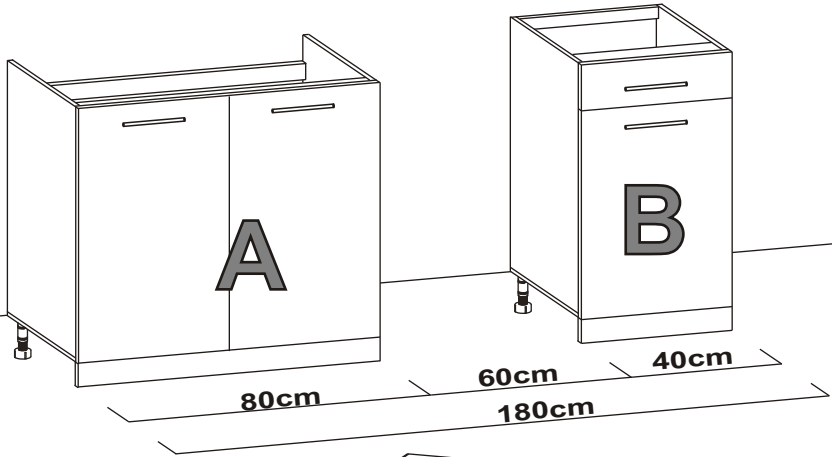
72cm

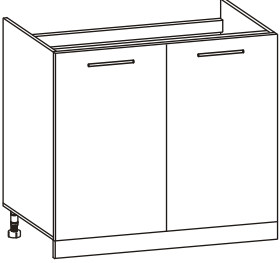


x12

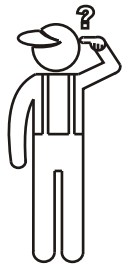


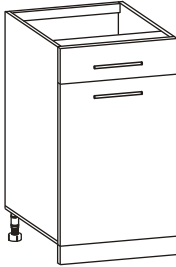
45cm

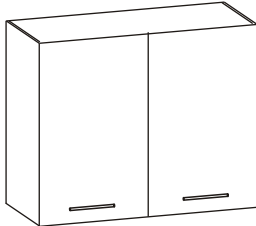


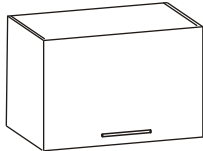
A 	1/5	1	16x450x700	x1
		2	16x450x700	x1
		7	16x800x95	x1
		3	16x800x450	x1
		8	16x396x713	x1
		9	16x396x713	x1
		4	16x767x95	x1
		5	16x767x95	x1
		6	2,5x200x200	x2

L/R ?

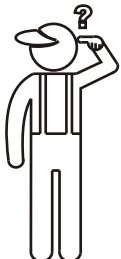


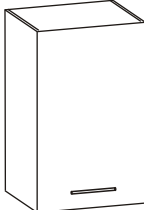
B 	2/5	15	16x450x700	x1
		16	16x450x700	x1
		12	16x430x100	x1
		13	16x430x100	x1
		21	16x400x95	x1
		17	16x400x450	x1
		14	2,5x344x435	x1
		23	16x396x570	x1
		11	16x396x138	x1
		19	16x367x95	x1
		18	16x367x95	x1
		20	2,5x395x650	x1
		22	16x367x440	x1
		10	16x328x85	x1

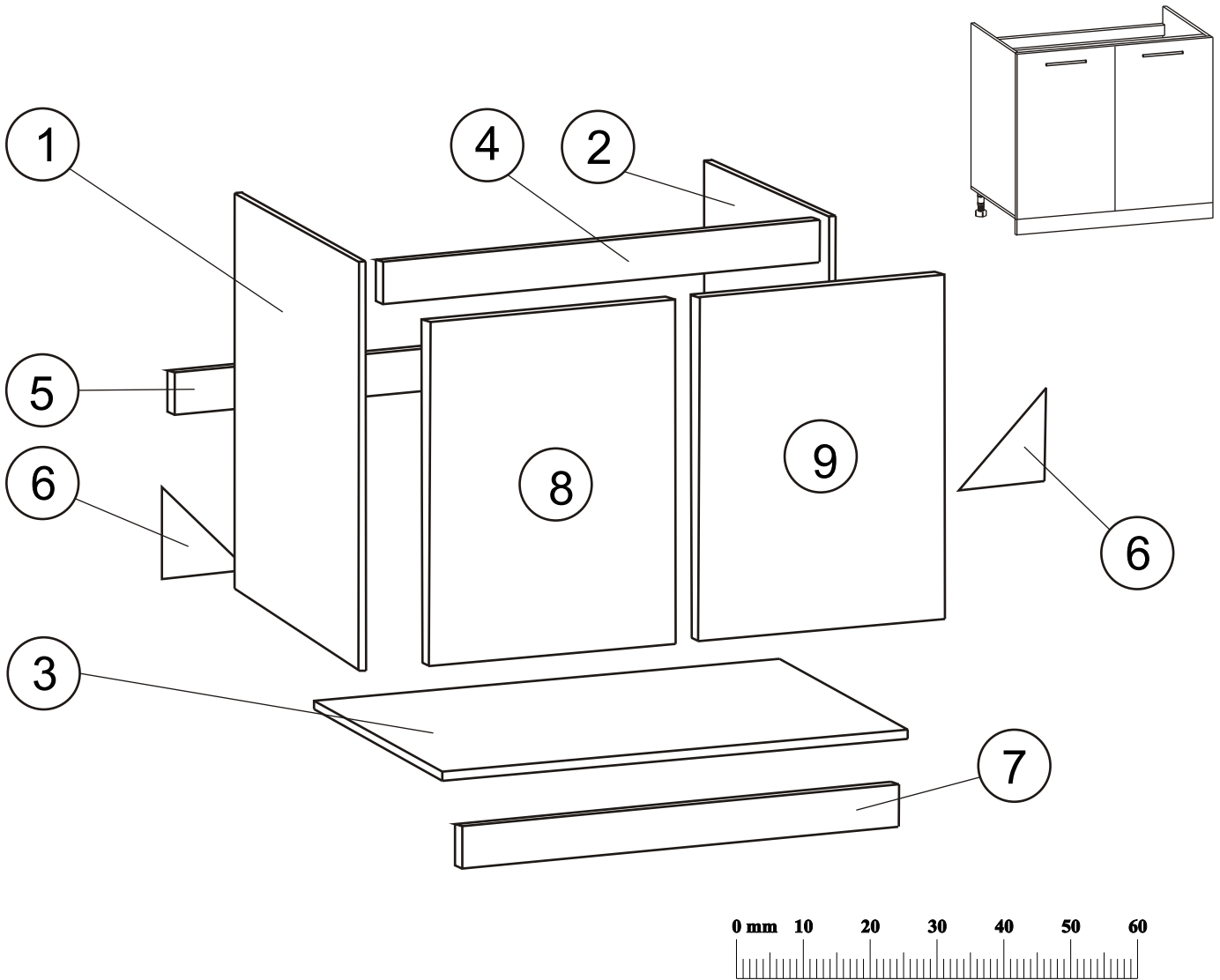
C 	3/5	24	16x285x717	x1
		25	16x285x717	x1
		30	16x396x713	x1
		31	16x396x713	x1
		26	16x767x282	x1
		27	16x767x282	x1
		28	2,5x392x715	x1
		29	2,5x392x715	x1
		32	16x767x270	x1

D 	4/5	35	16x285x358	x1
		36	16x285x358	x1
		38	16x596x353	x1
		37	2,5x585x355	x1
		34	16x567x282	x1
		33	16x567x282	x1


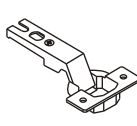
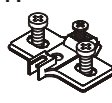

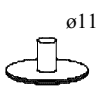
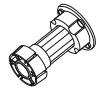
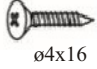
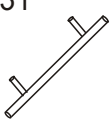





L/R ?



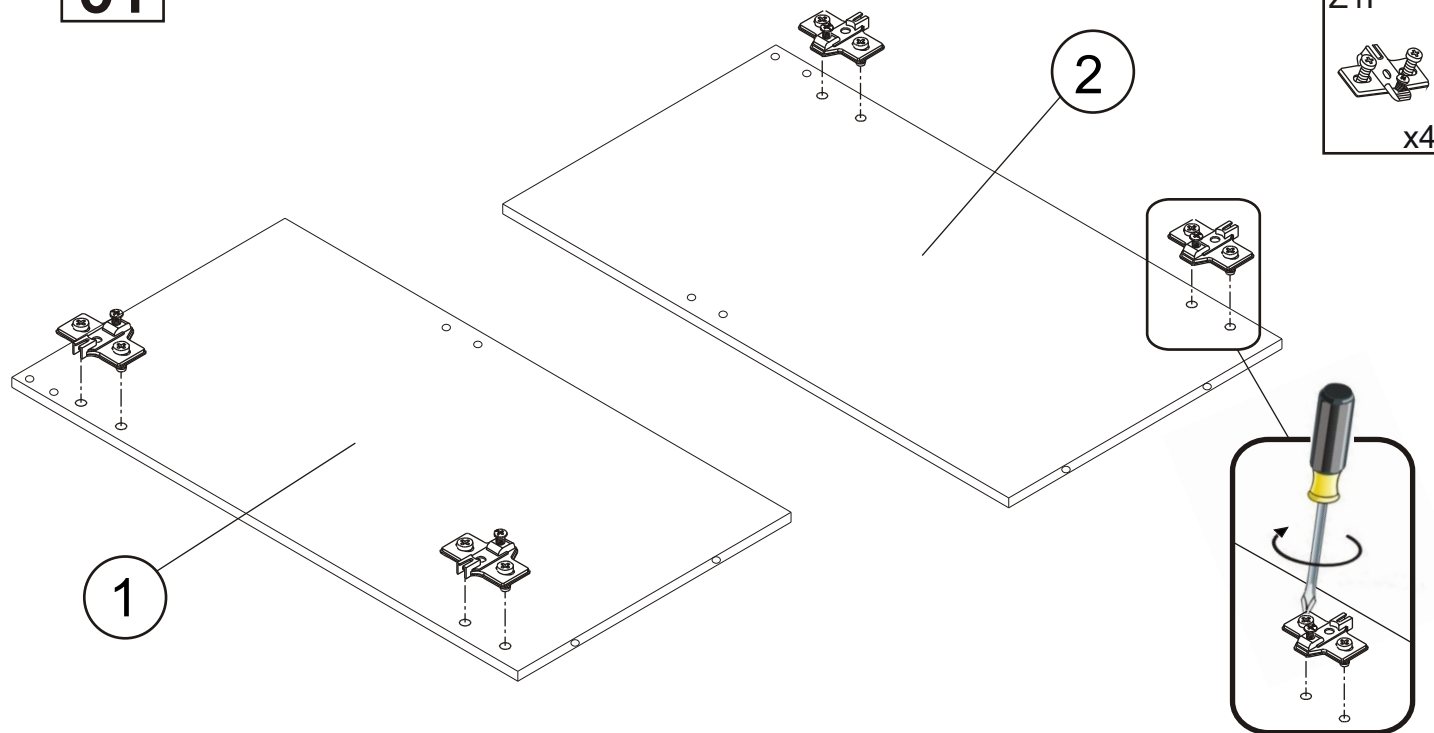
E 	5/5	39	16x285x717	x1
		40	16x285x717	x1
		43	2,5x385x715	x1
		45	16x367x270	x1
		42	16x367x282	x1
		41	16x367x282	x1
		44	16x396x713	x1



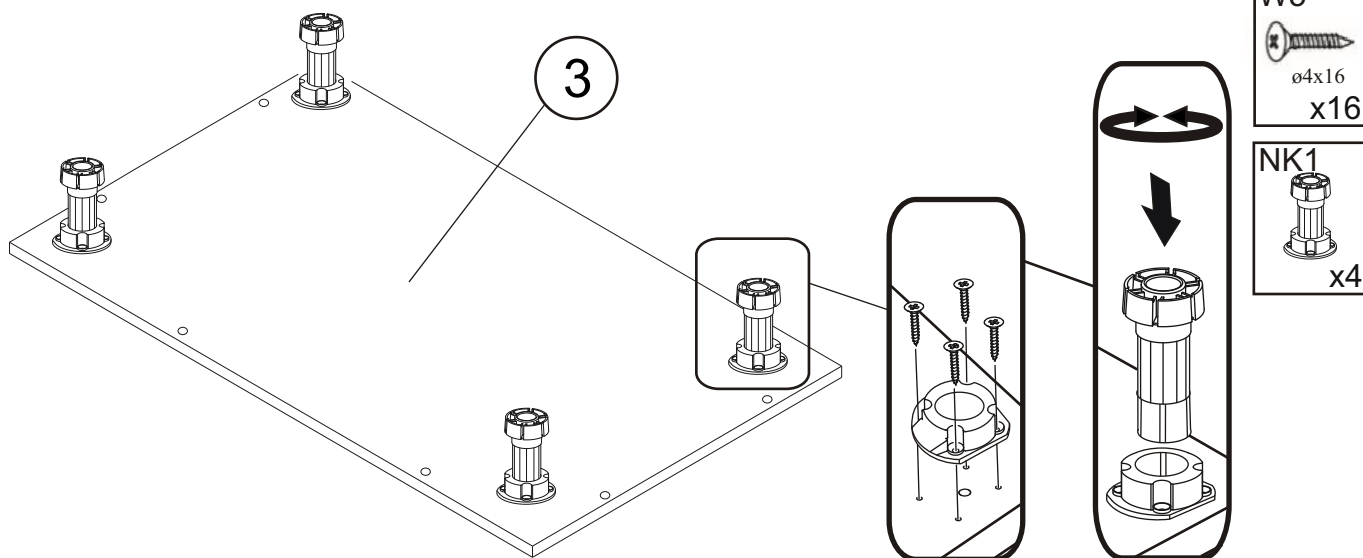
1/5	1	16x450x700	x1
	2	16x450x700	x1
	7	16x800x95	x1
	3	16x800x450	x1
	8	16x396x713	x1
	9	16x396x713	x1
	4	16x767x95	x1
	5	16x767x95	x1
6	2,5x200x200	x2	

K1  $\varnothing 7 \times 50$ x10	Z1  x4	Z1P  x4	KK1  x1	ZK  $\varnothing 11$ X6
NK1  x4	W5  $\varnothing 4 \times 16$ x16	U31  x2	U31A2  x4	KD1  $\varnothing 8 \times 35$ X4
W4  $\varnothing 4 \times 13$ x8	G1  x12	POP  x4		

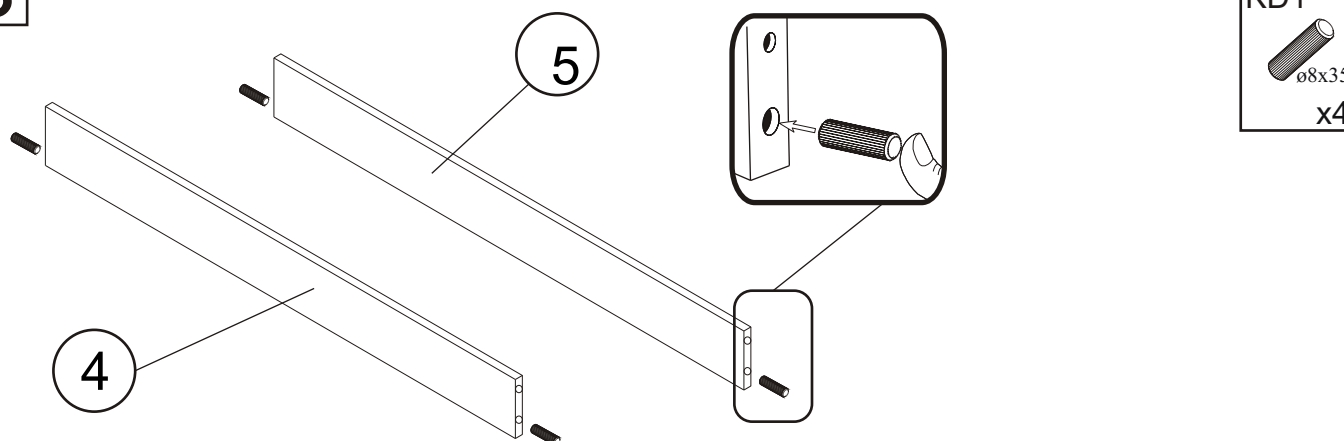
01



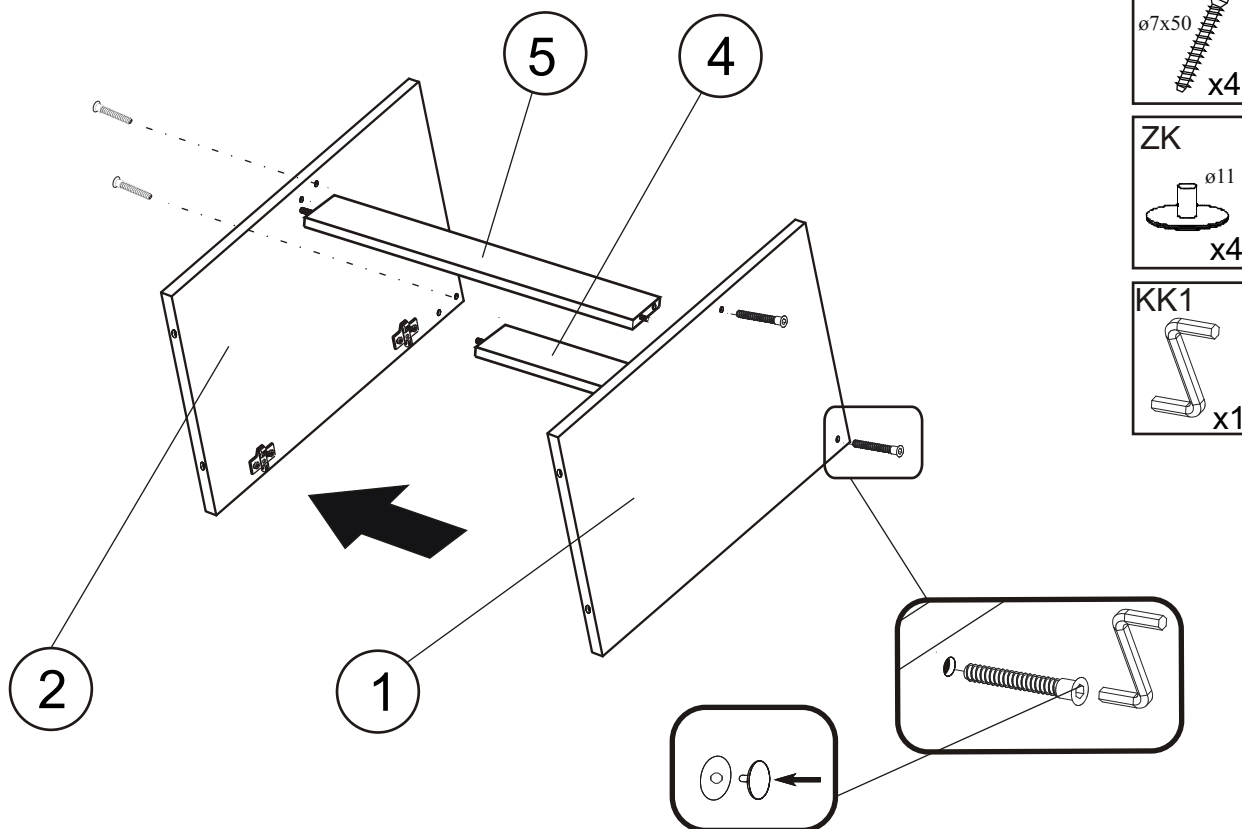
02



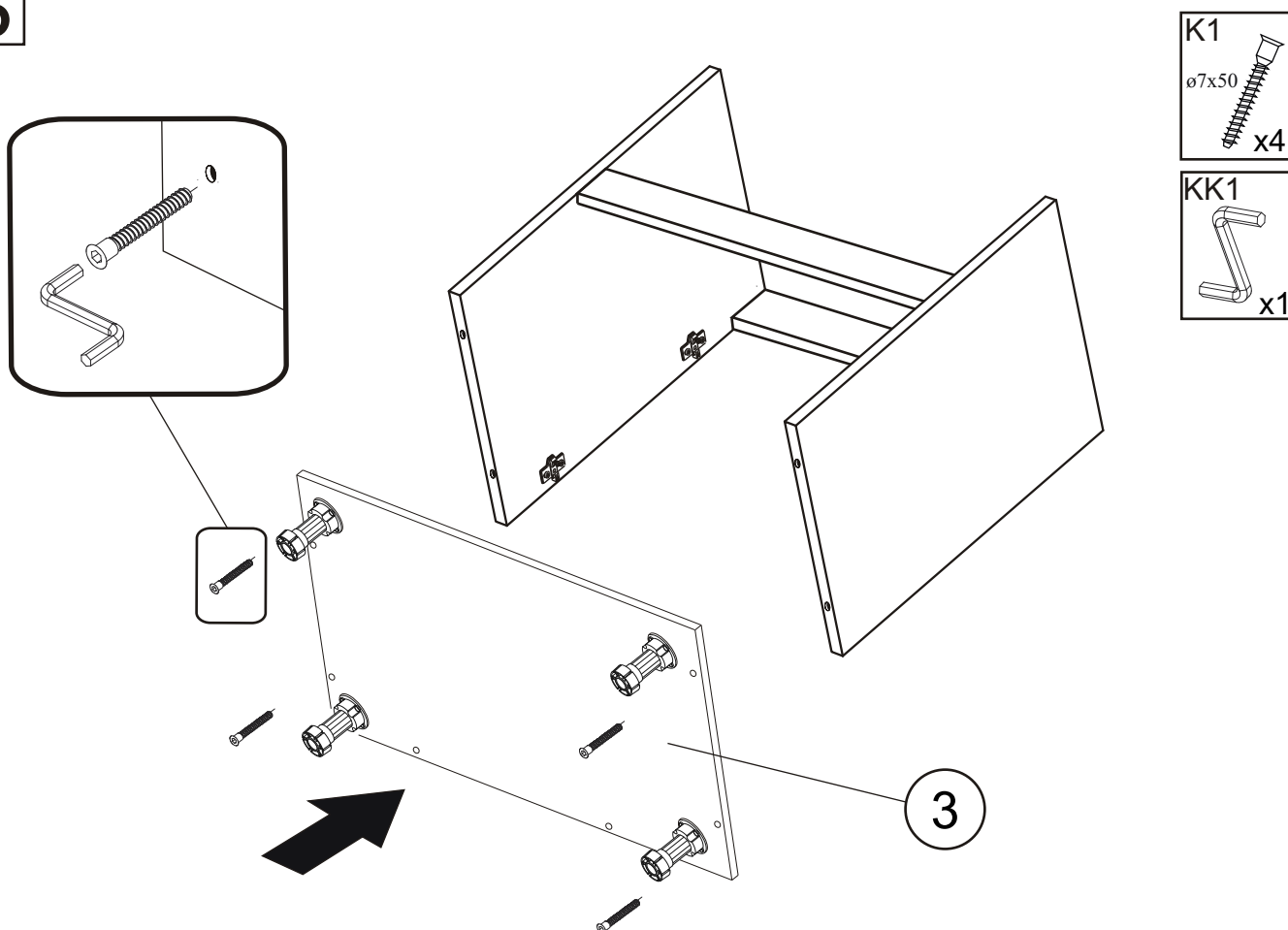
03

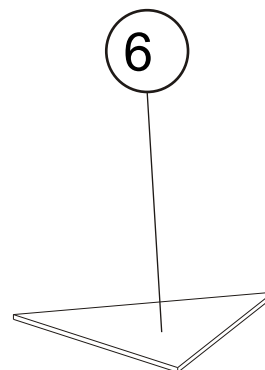
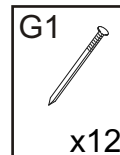
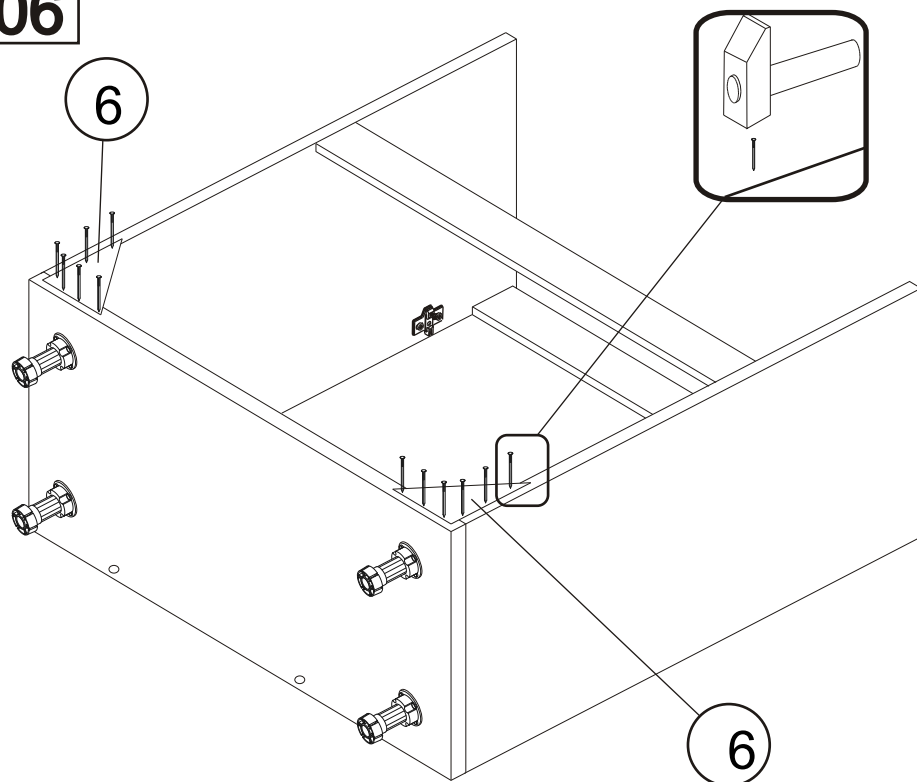
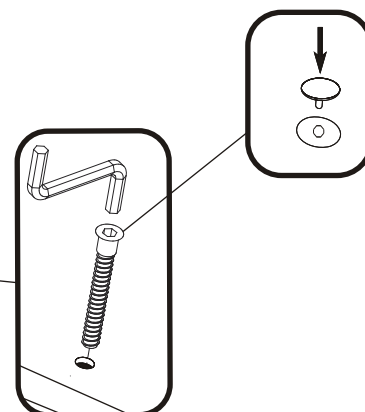
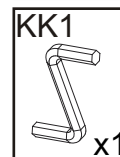
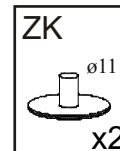
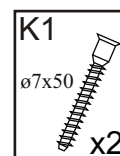
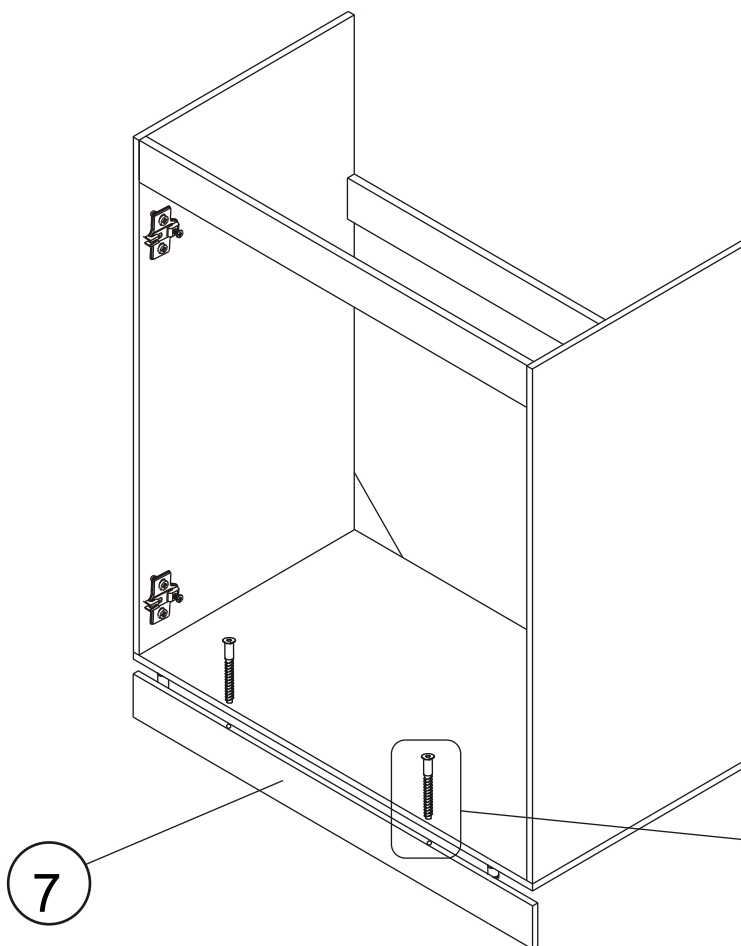


04

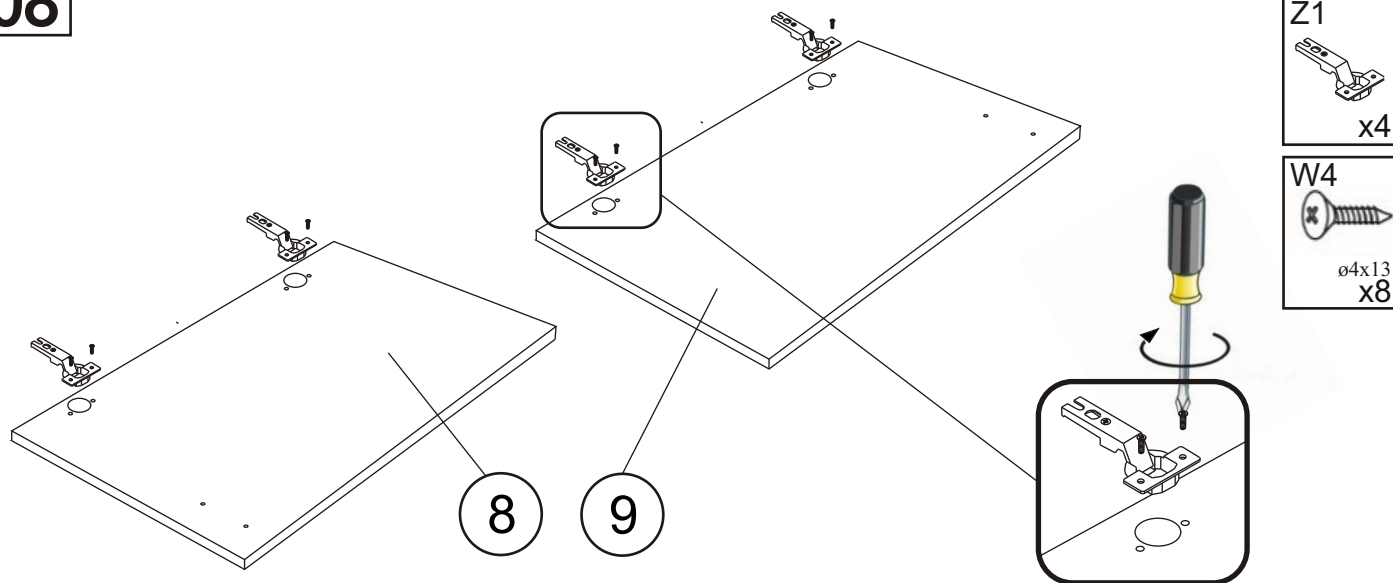


05

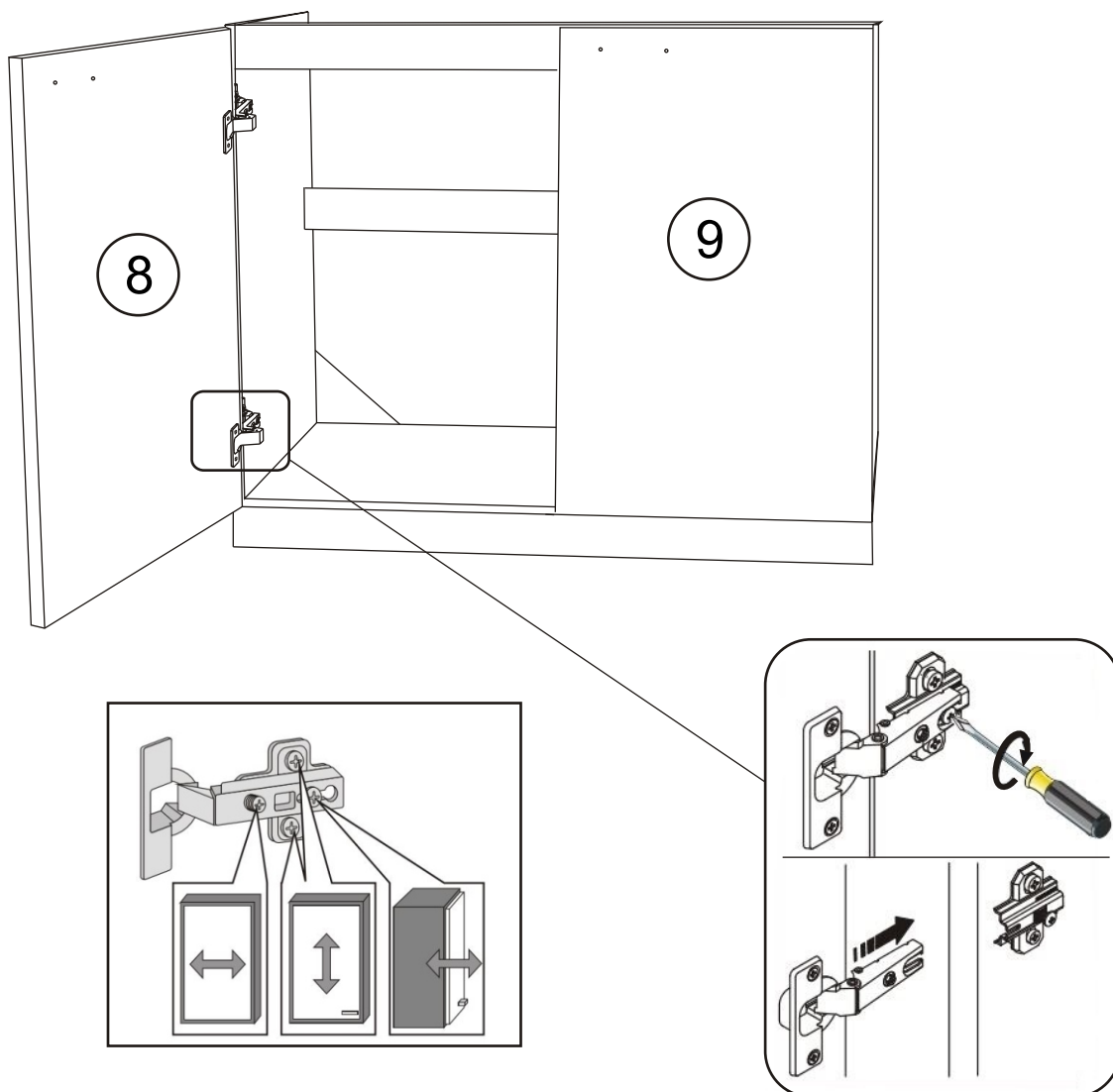


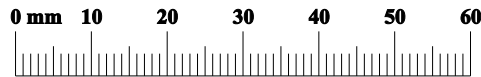
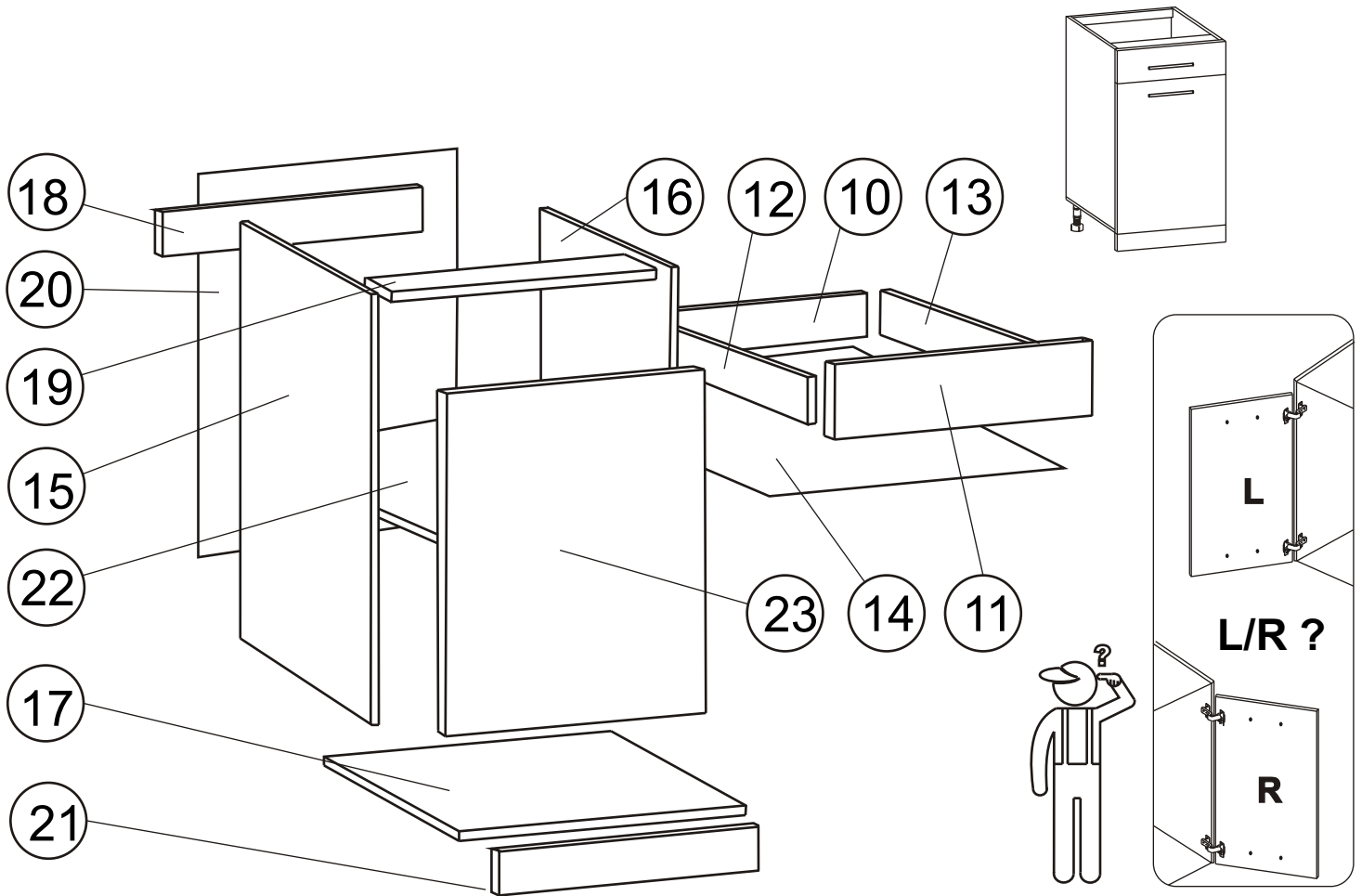
06**07**





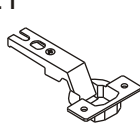
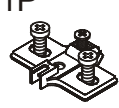
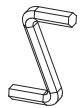
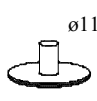
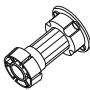

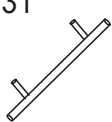





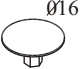
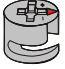





08



09

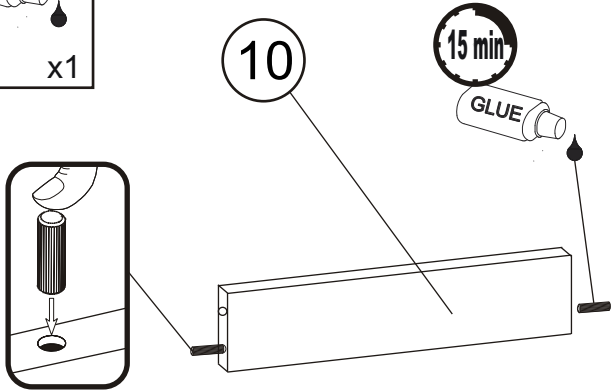
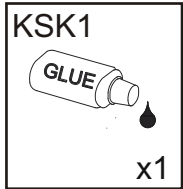
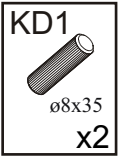




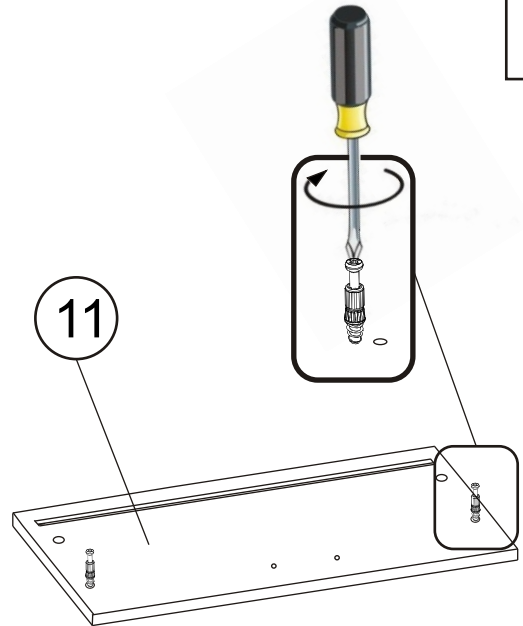
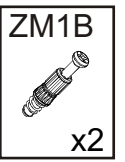
POP	W3	PP		
				
x4	x2	x4		
K1	Z1	Z1P	KK1	ZK
				
ø7x50 x12	x2	x2	x1	ø11 x12
NK1	W5	U31	U31A2	ZM1B
				
x4	ø4x16 x16	x2	x4	x2
W4	G1	KD1	ZM1	ZM1A
				
ø4x13 x4	x12	ø8x35 x4	ø16 x2	x2
KSK1	PKU4	ME1	SR4	WK1
				
x1	x1	mini euro screw 4x13 x4	M4x12 x2	x1

2/5	15	16x450x700	x1
	16	16x450x700	x1
	12	16x430x100	x1
	13	16x430x100	x1
	21	16x400x95	x1
	17	16x400x450	x1
	14	2,5x344x435	x1
	23	16x396x570	x1
	11	16x396x138	x1
	19	16x367x95	x1
	18	16x367x95	x1
	20	2,5x395x650	x1
22	16x367x440	x1	
10	16x328x85	x1	

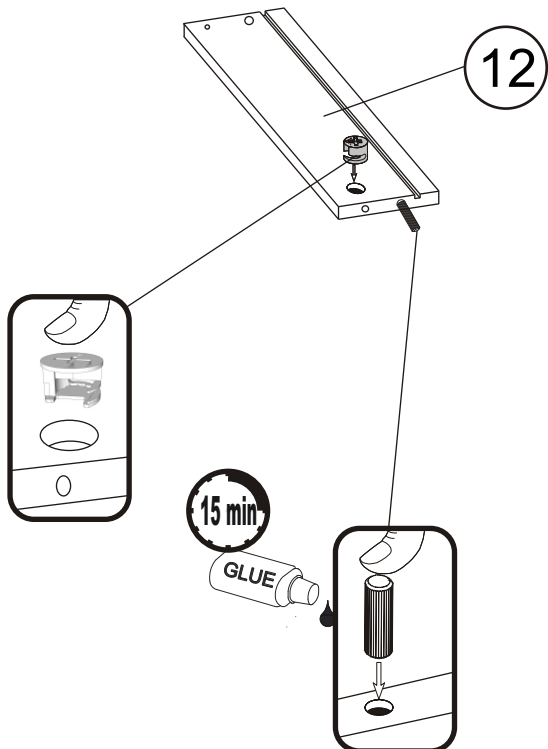
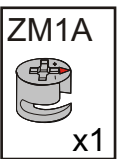
10



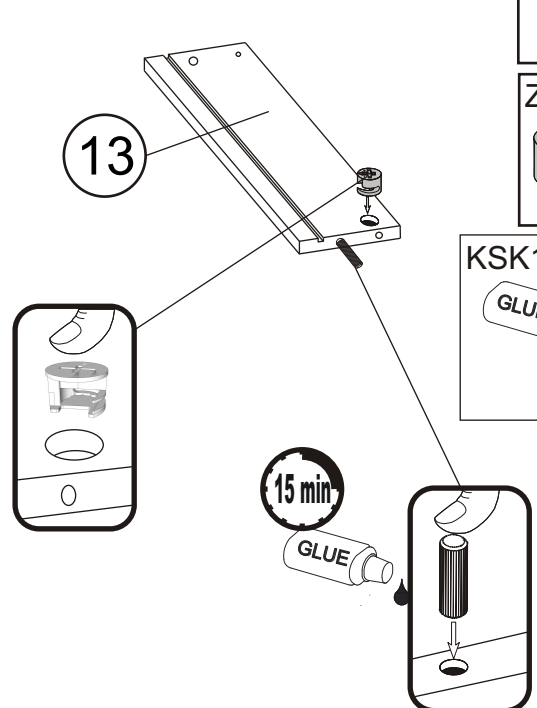
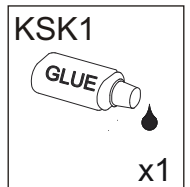
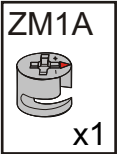
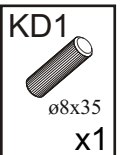
11



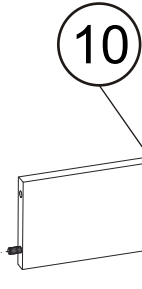
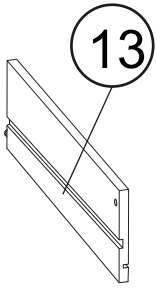
12



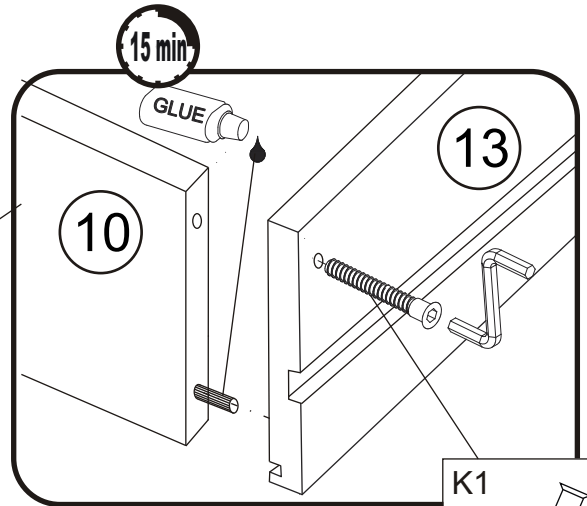
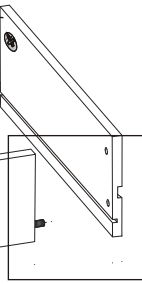
13



14



12



13

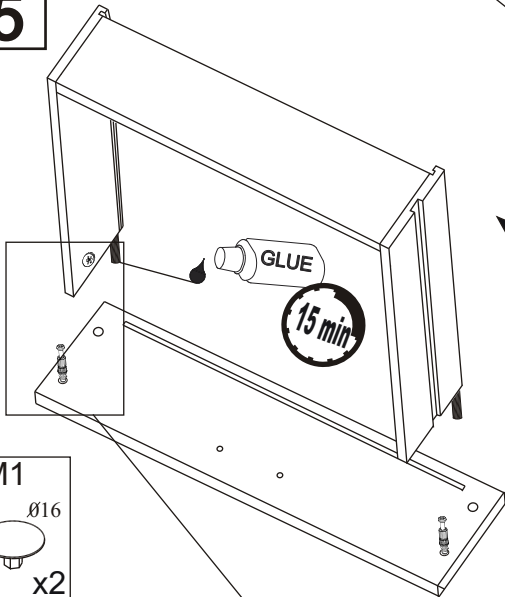
10

K1

ø7x50

x2

15



ZM1

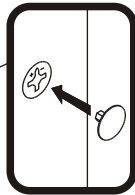
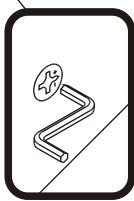
ø16

x2

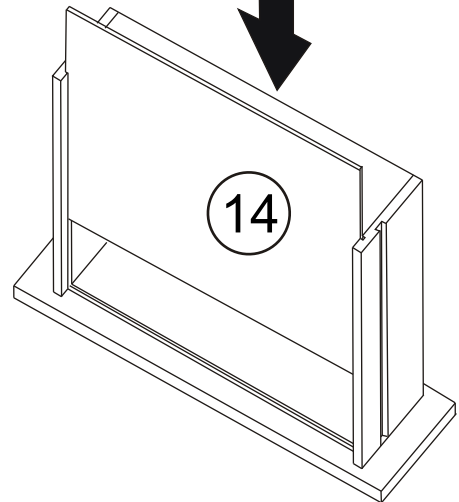
KSK1

GLUE

x1



16



14

17 → 17a → 17b

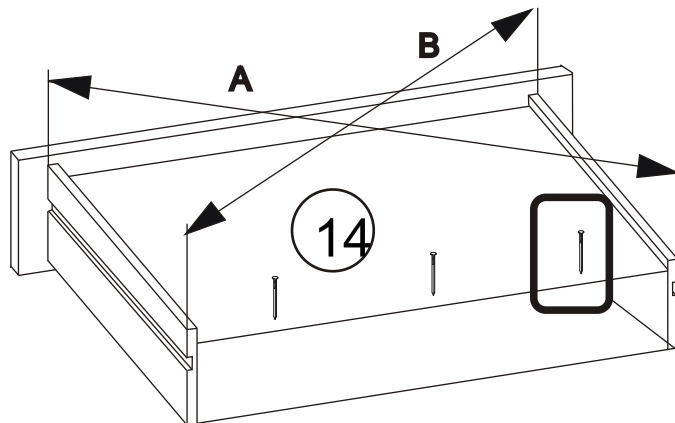
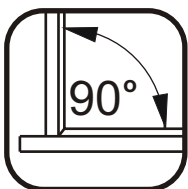
G1

x3

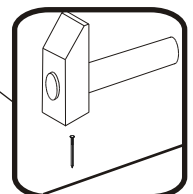
17a



A=B

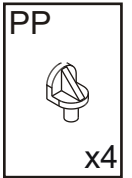
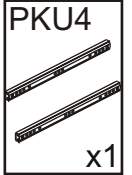
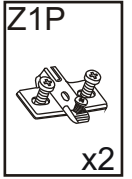
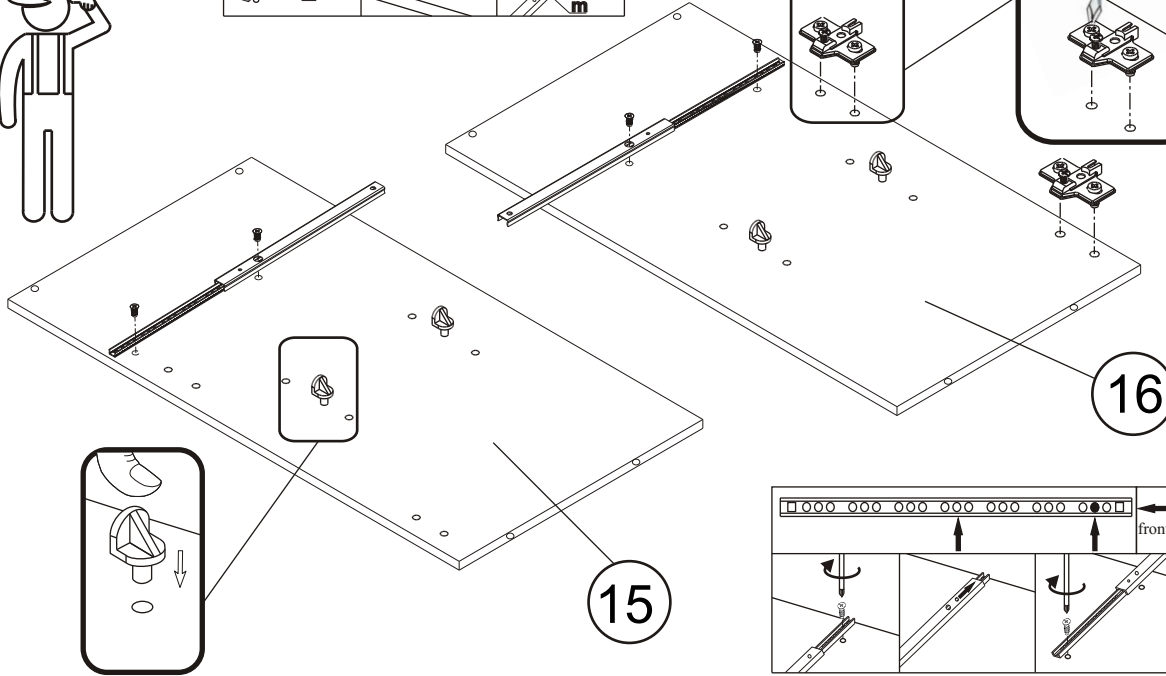
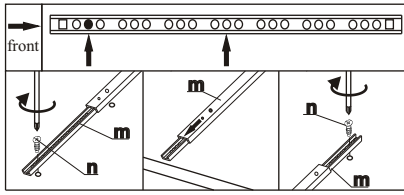
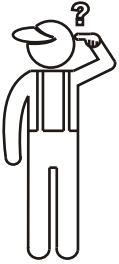


17b

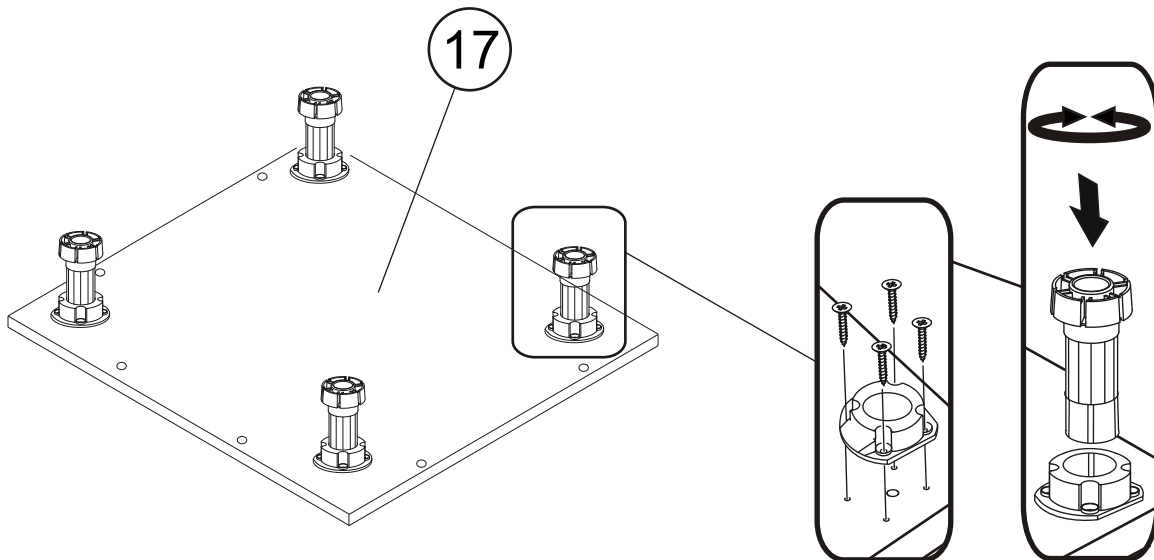


18

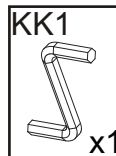
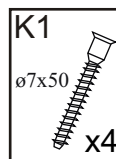
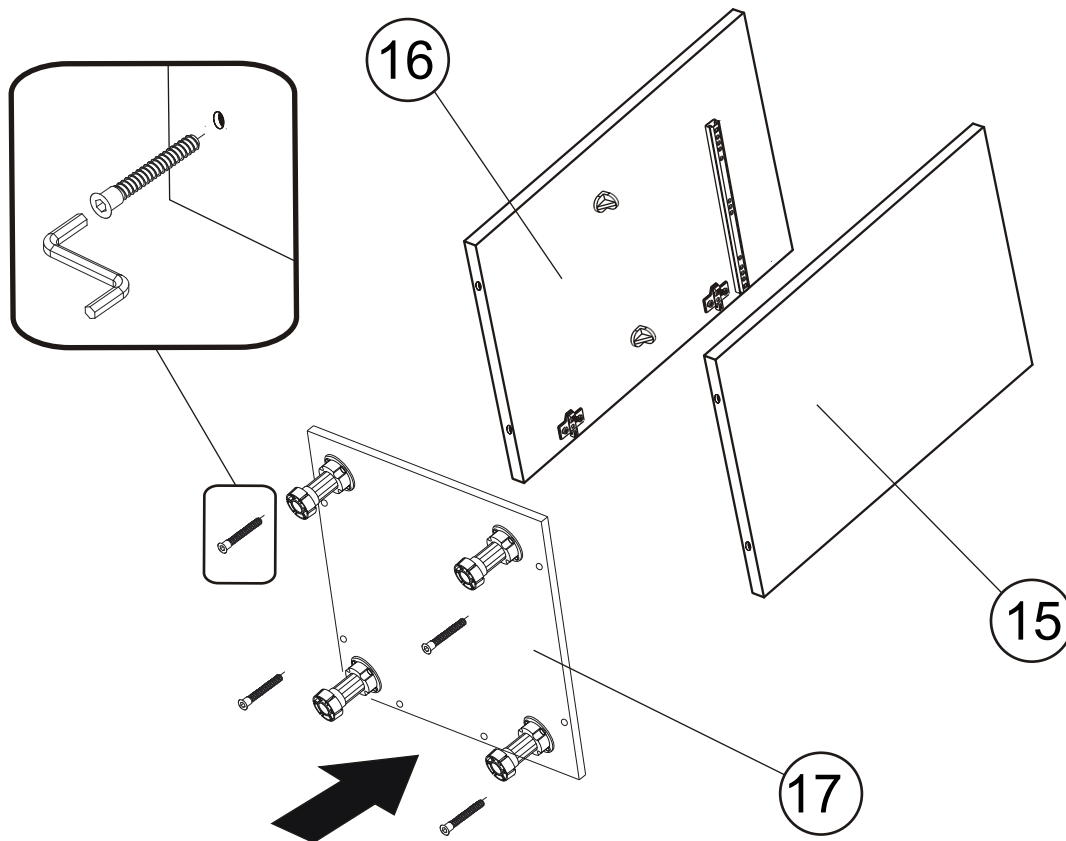
L/R ?



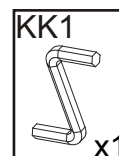
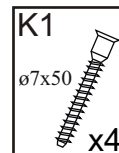
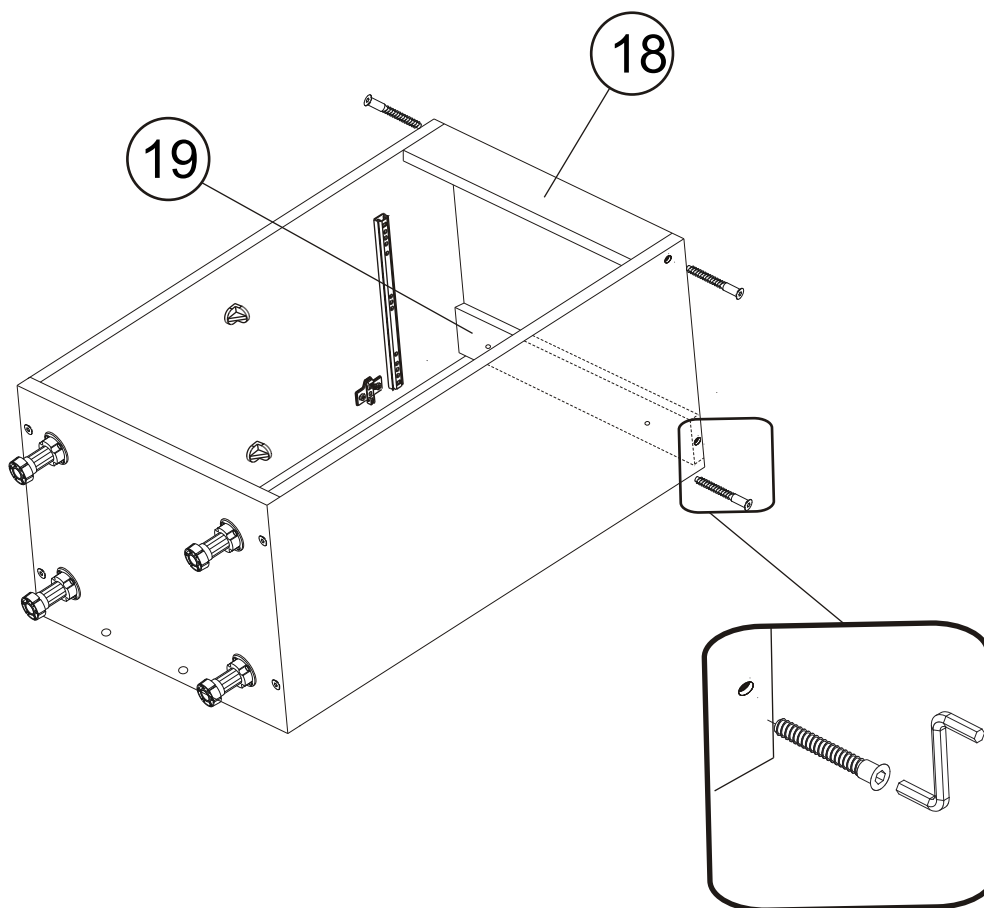
19



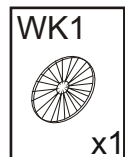
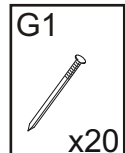
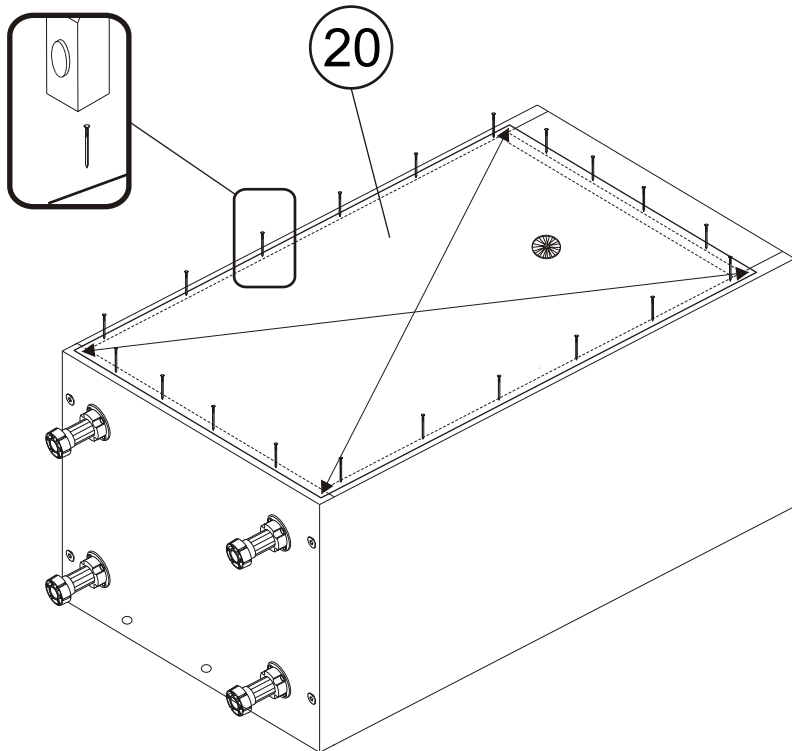
20



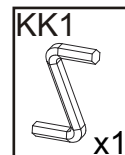
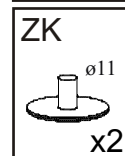
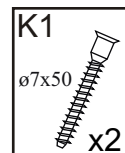
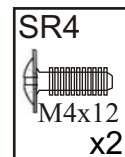
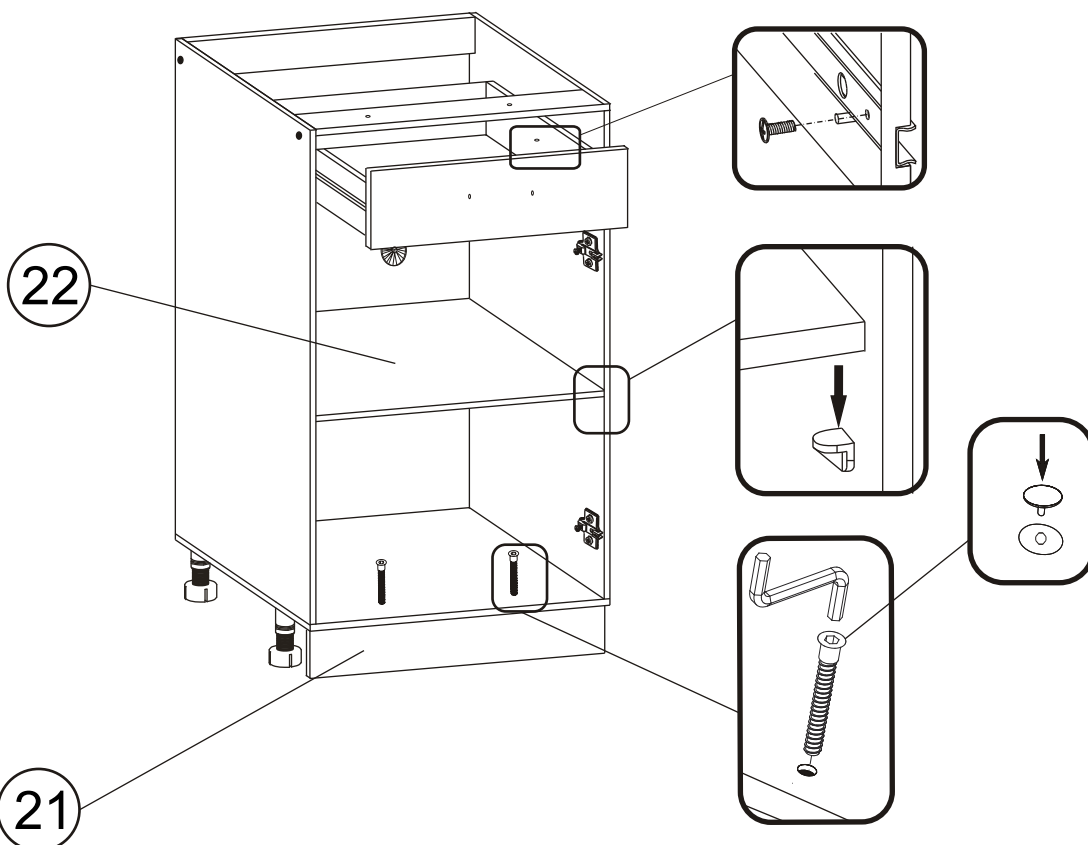
21



22

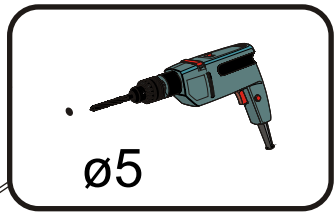
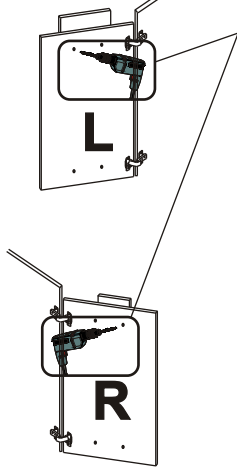
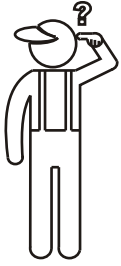


23

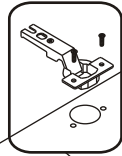


24

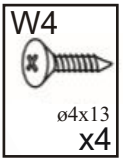
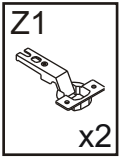
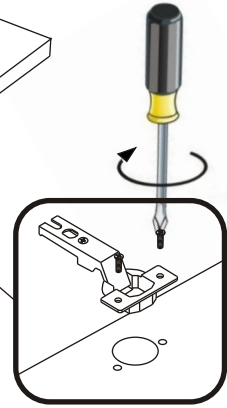
L/R ?



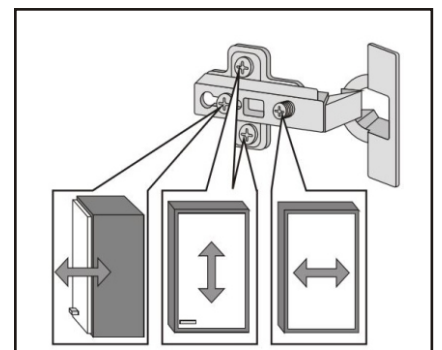
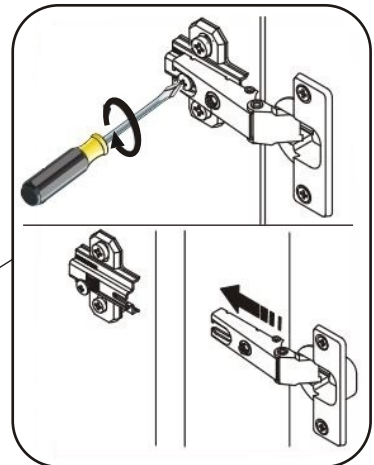
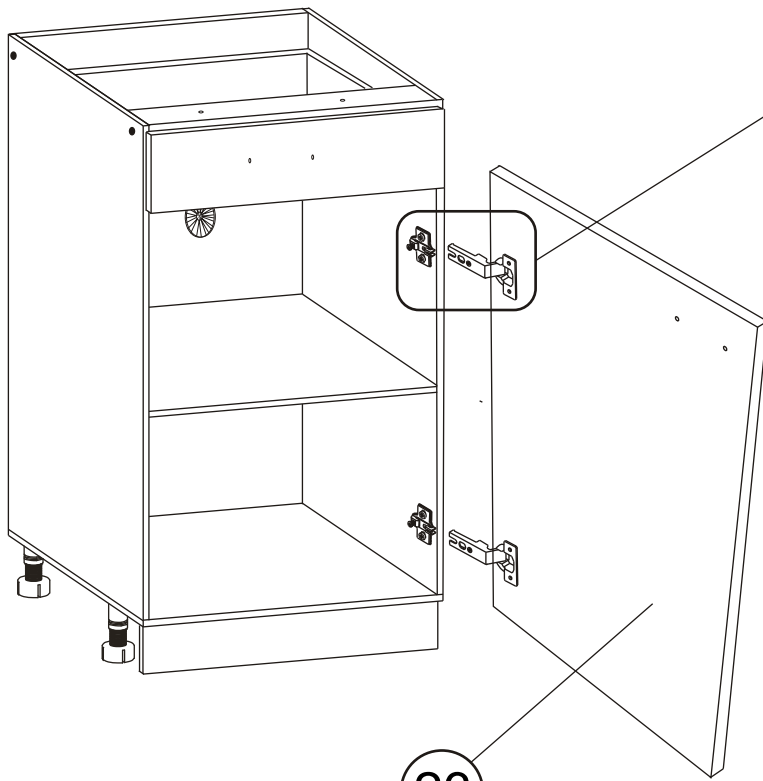
ø5

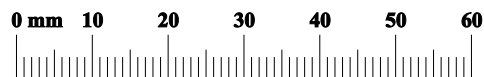
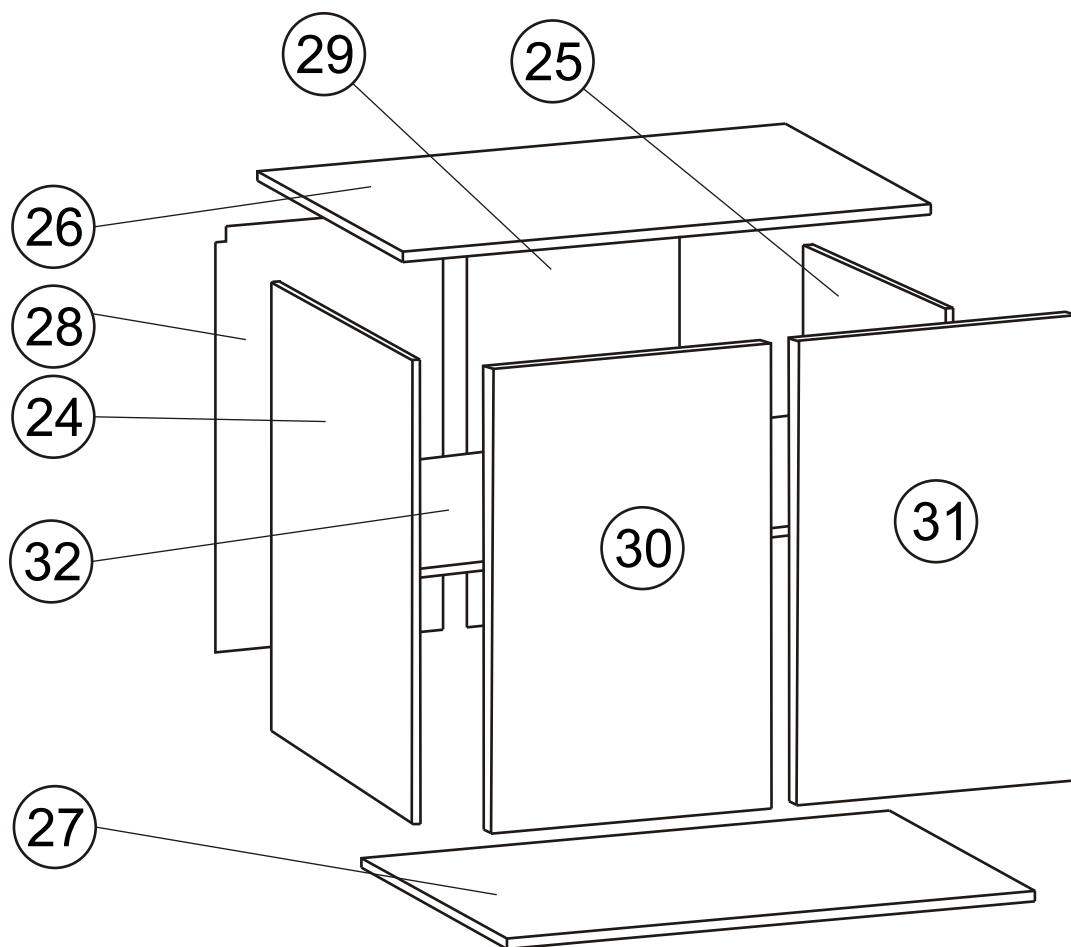


23



25

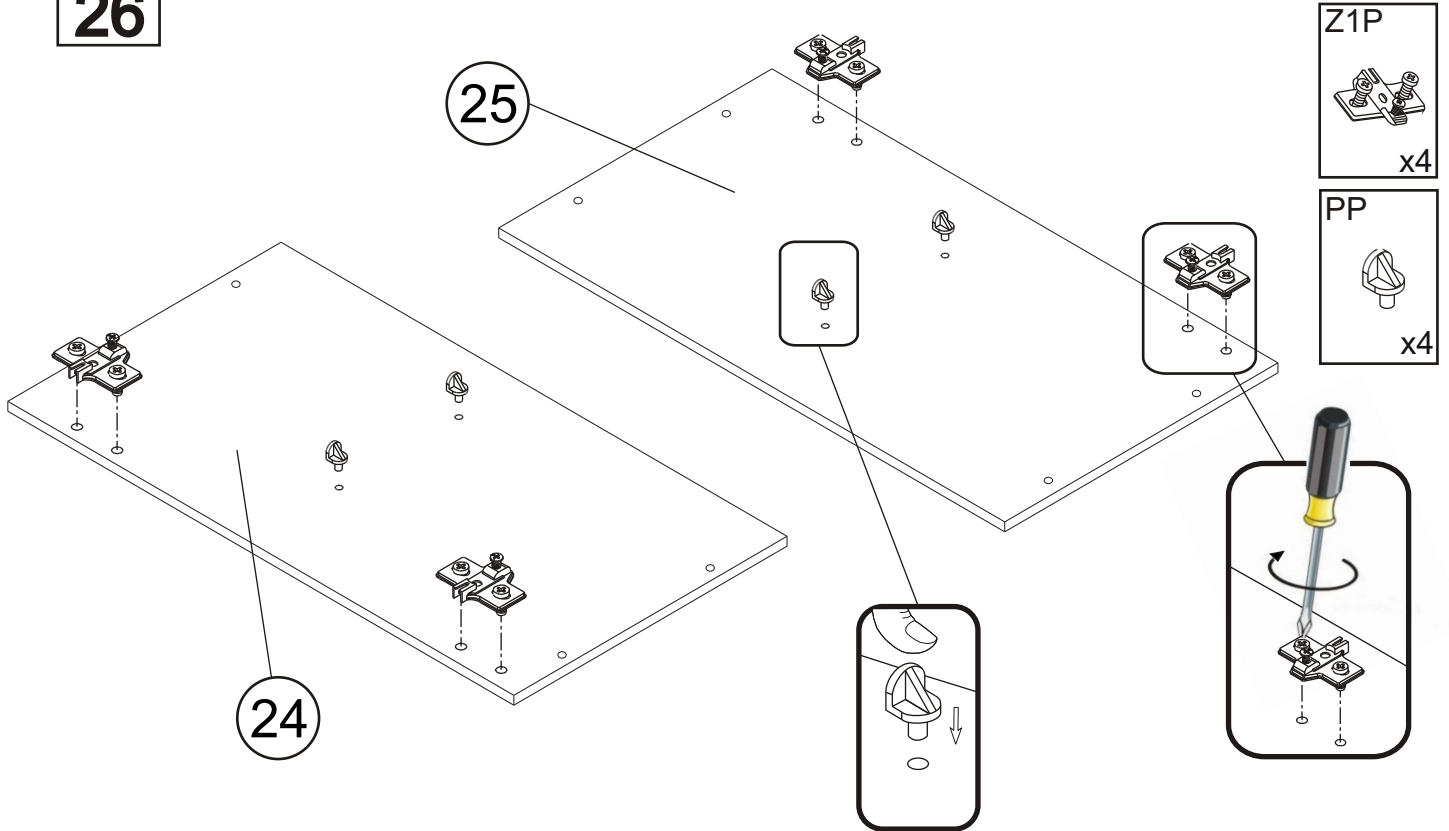




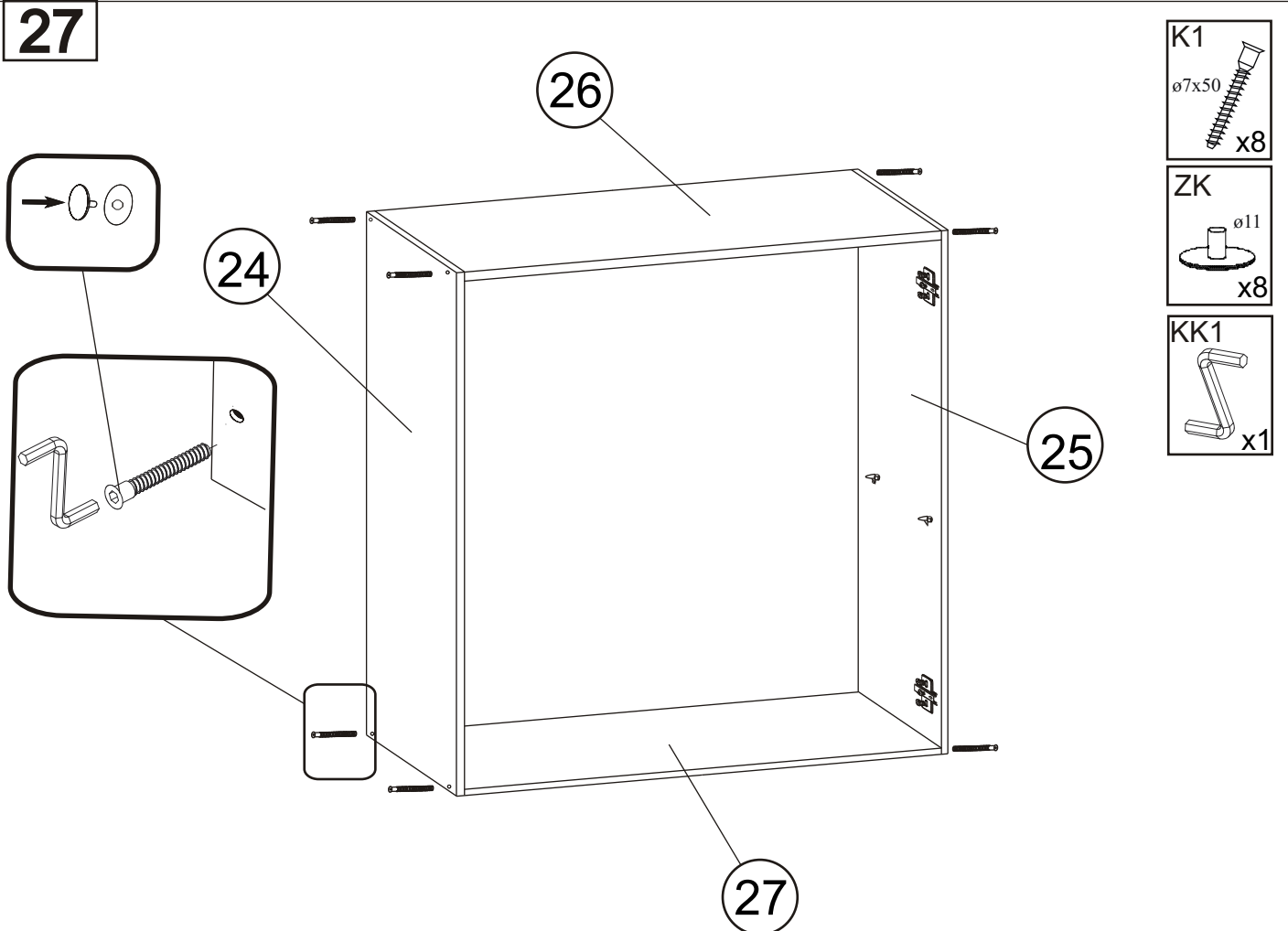
3/5	24	16x285x717	x1
	25	16x285x717	x1
	30	16x396x713	x1
	31	16x396x713	x1
	26	16x767x282	x1
	27	16x767x282	x1
	28	2,5x392x715	x1
	29	2,5x392x715	x1
	32	16x767x270	x1

K1 x8	Z1 x4	Z1P x4	KK1 x1	ZK x8
LI x1	 x2	U31 x2	U31A2 x4	WK1 x1
W4 x8	G1 x18	PP x4	ZRS1 x2	W3 x4
				POP x4

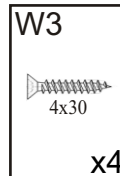
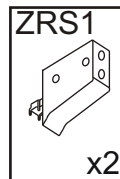
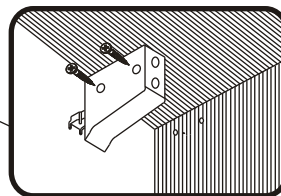
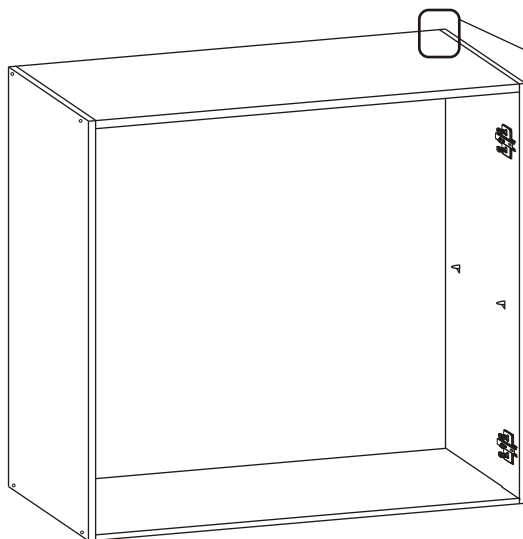
26



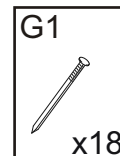
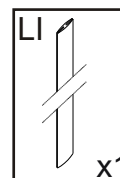
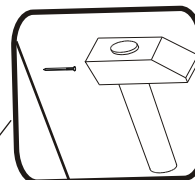
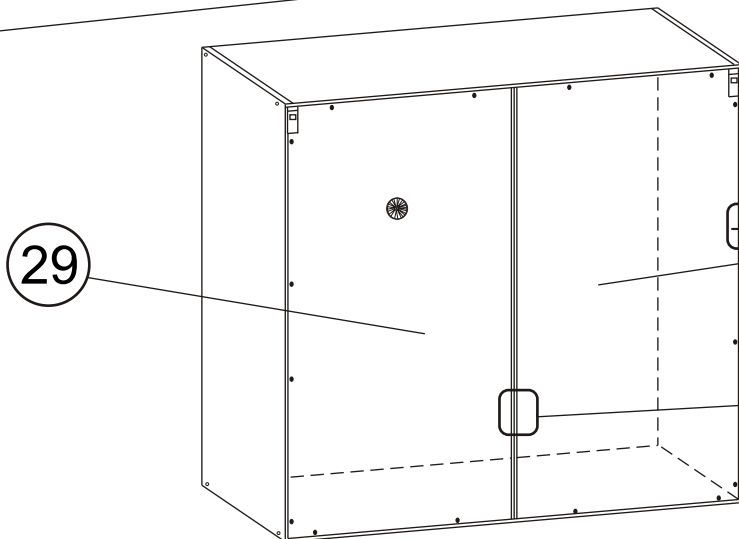
27



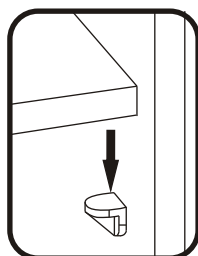
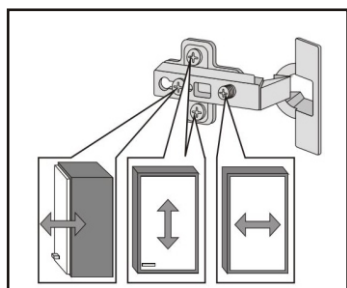
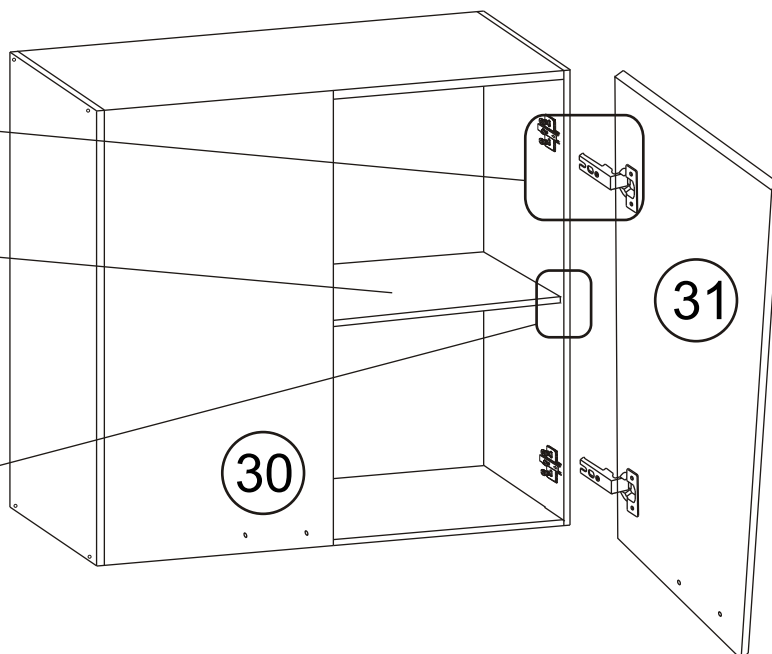
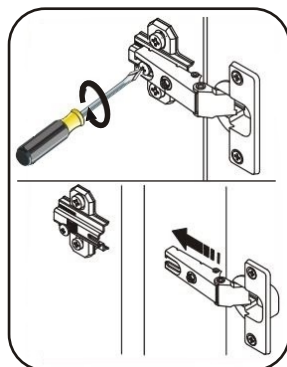
28

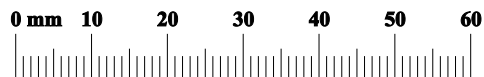
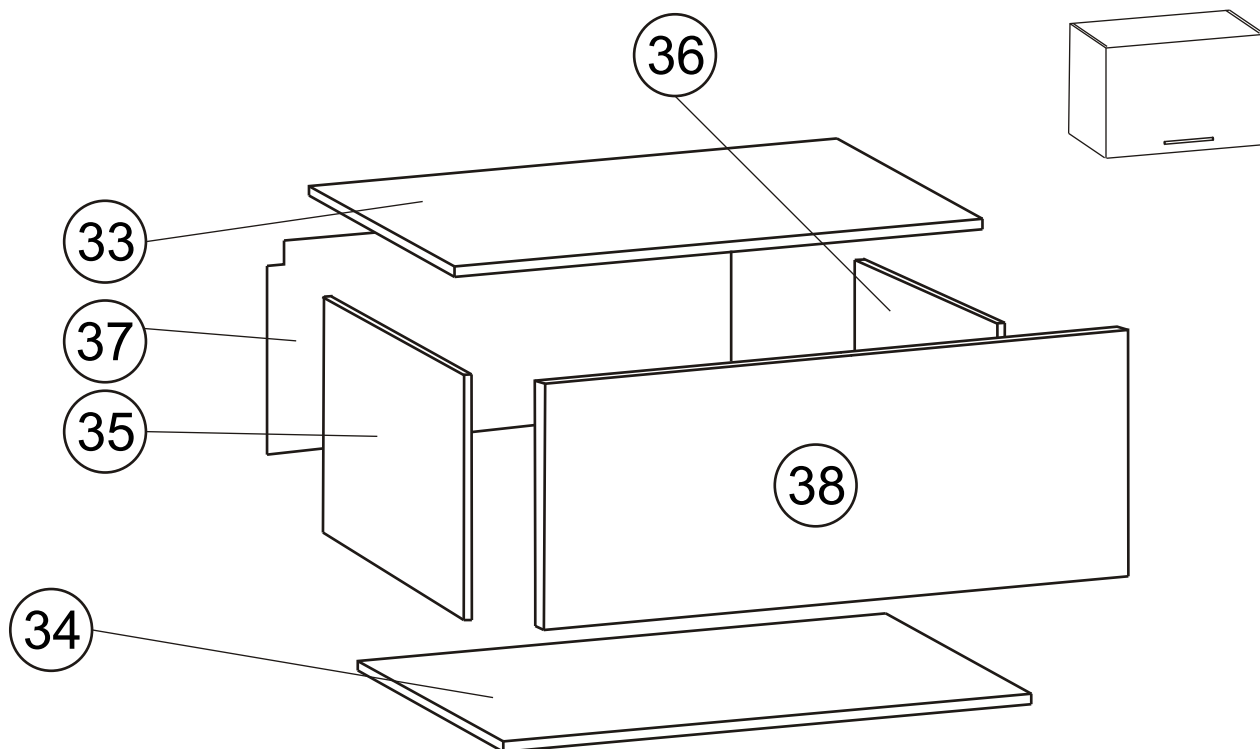


29



30

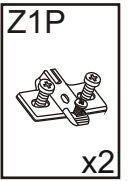
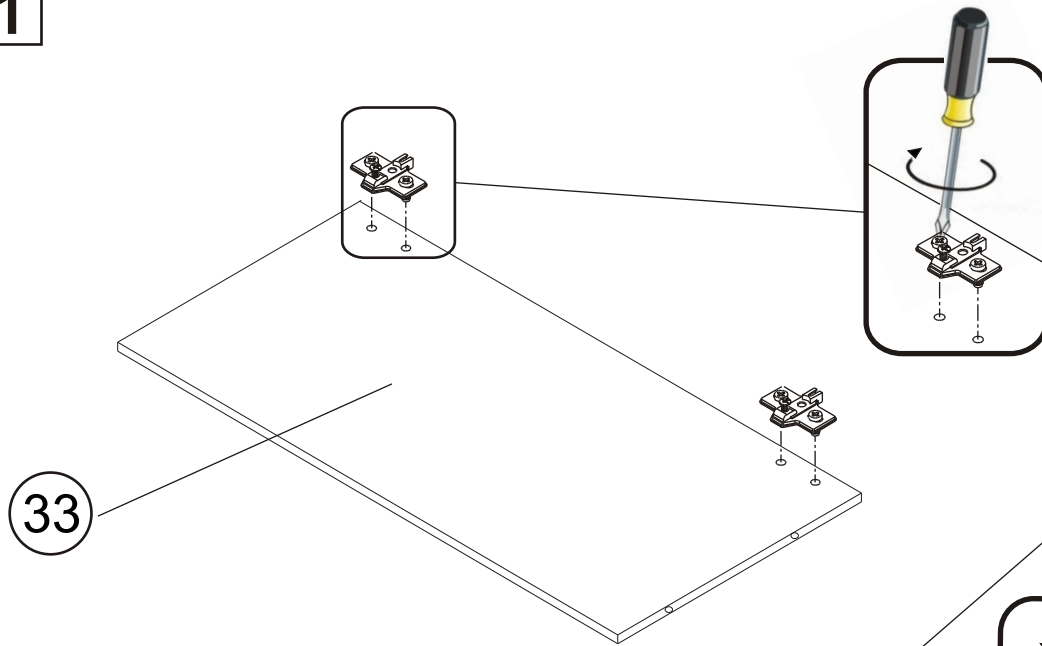




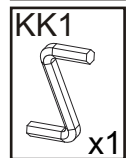
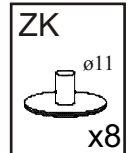
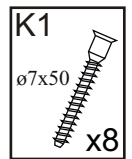
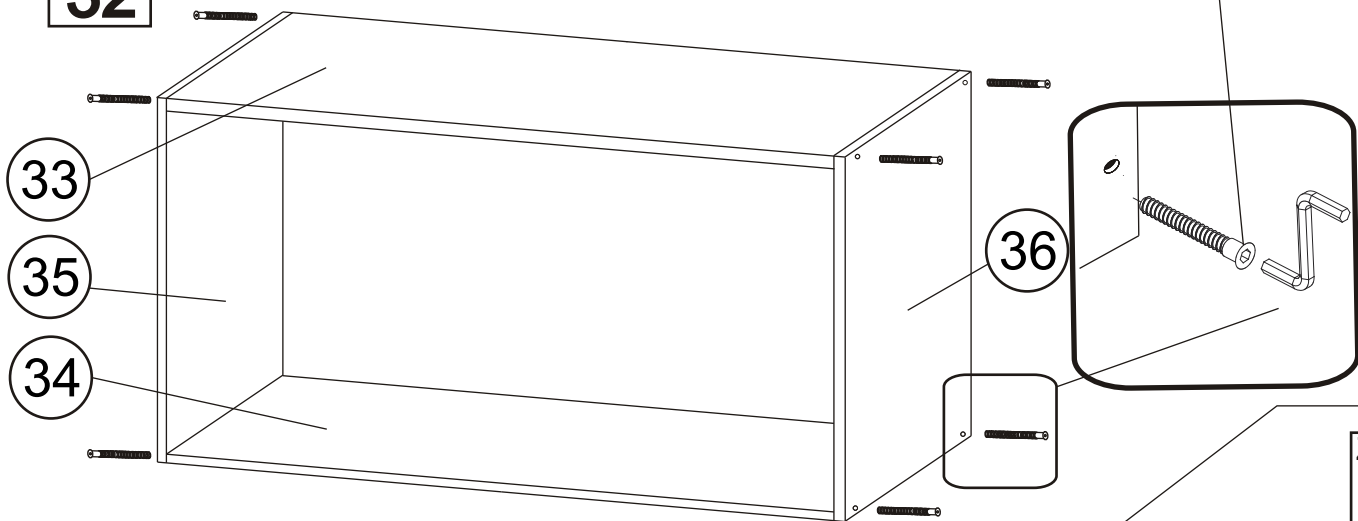
4/5	35	16x285x358	x1
	36	16x285x358	x1
	38	16x596x353	x1
	37	2,5x585x355	x1
	34	16x567x282	x1
	33	16x567x282	x1

K1 x8	Z1 x2	Z1P x2	KK1 x1	ZK x8
LI x1	G1 x2	U31 x1	U31A2 x2	WK1 x1
W4 x4	G1 x18	POP x2	ZRS1 x2	W3 x4
AM1 x1				 x5

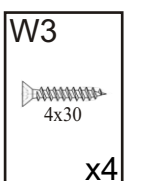
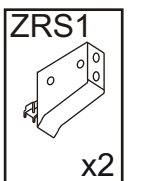
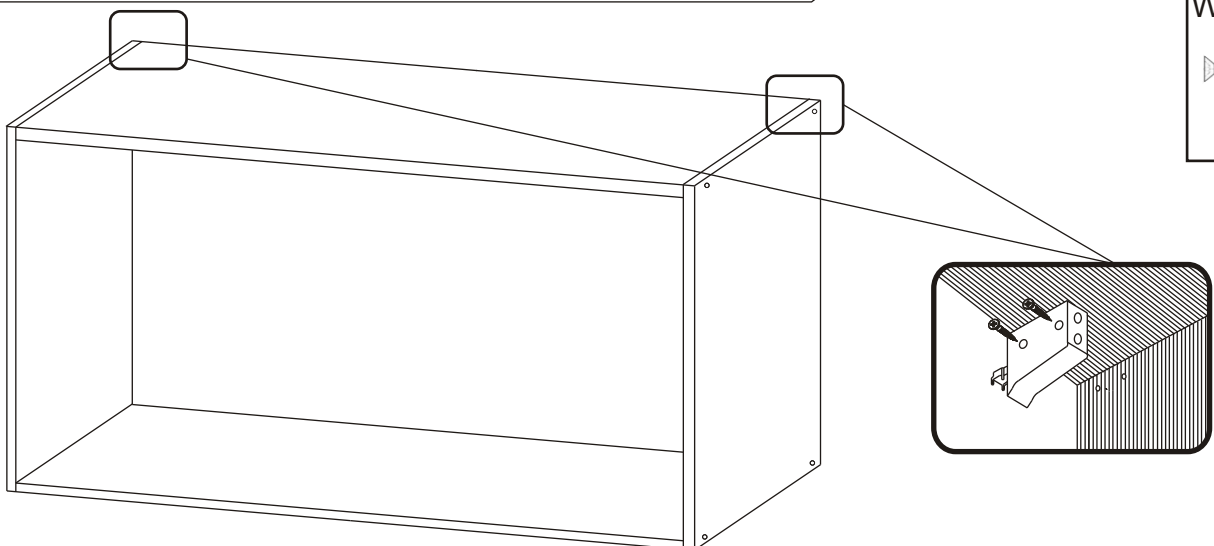
31



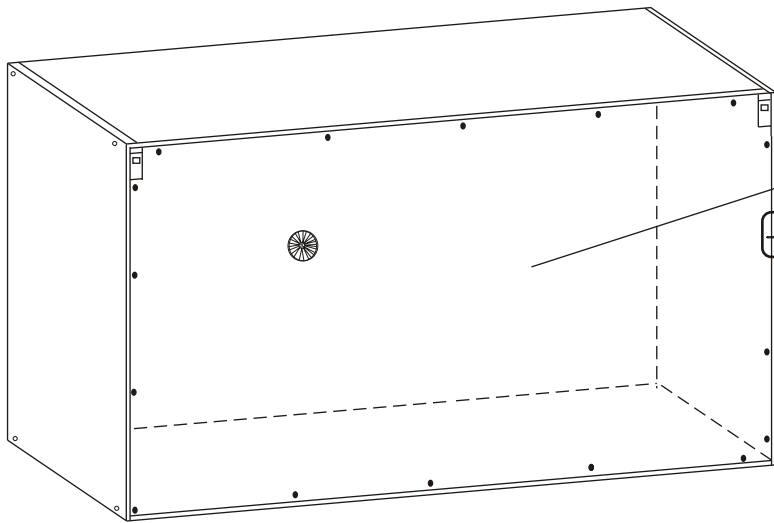
32



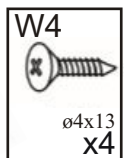
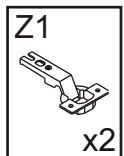
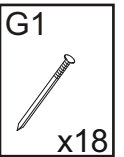
33



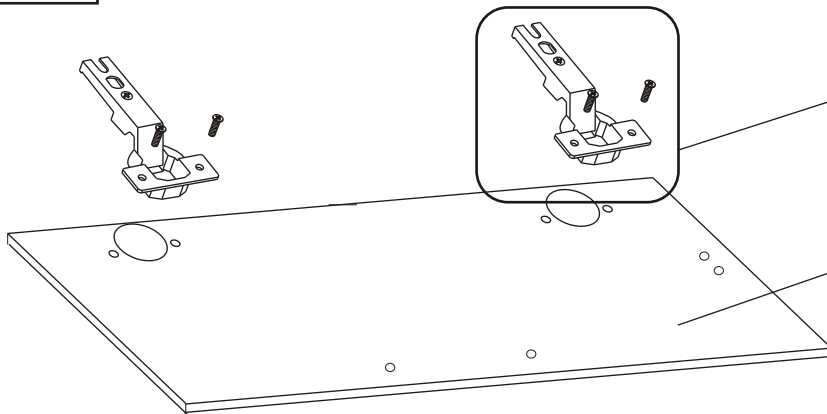
34



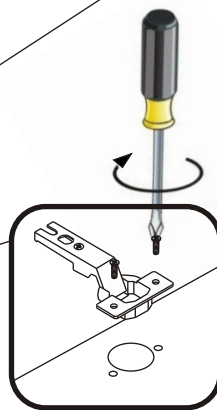
37



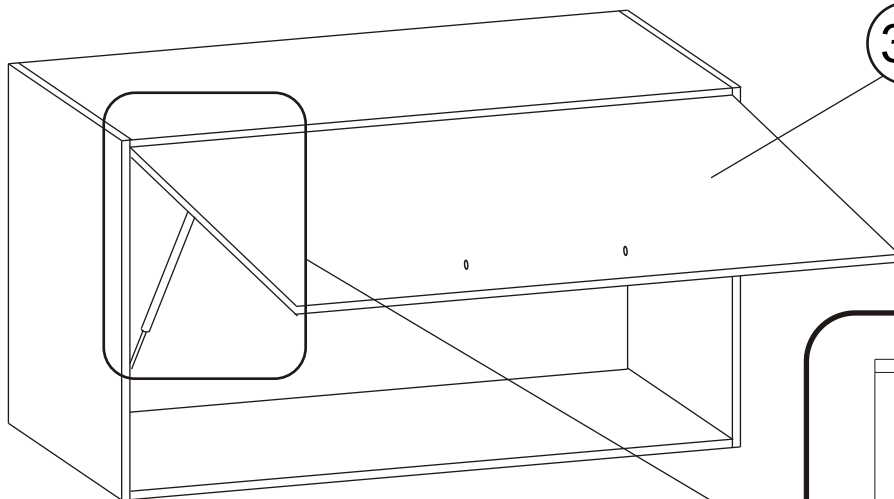
35



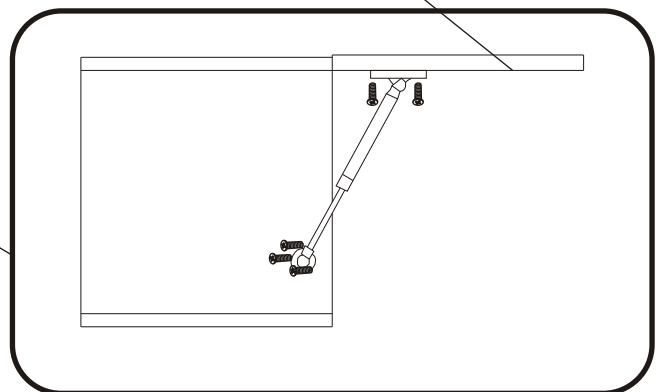
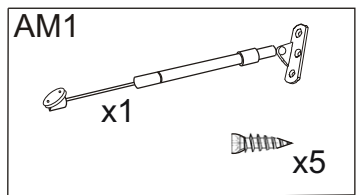
38

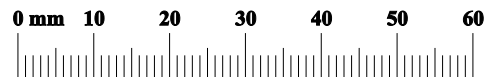
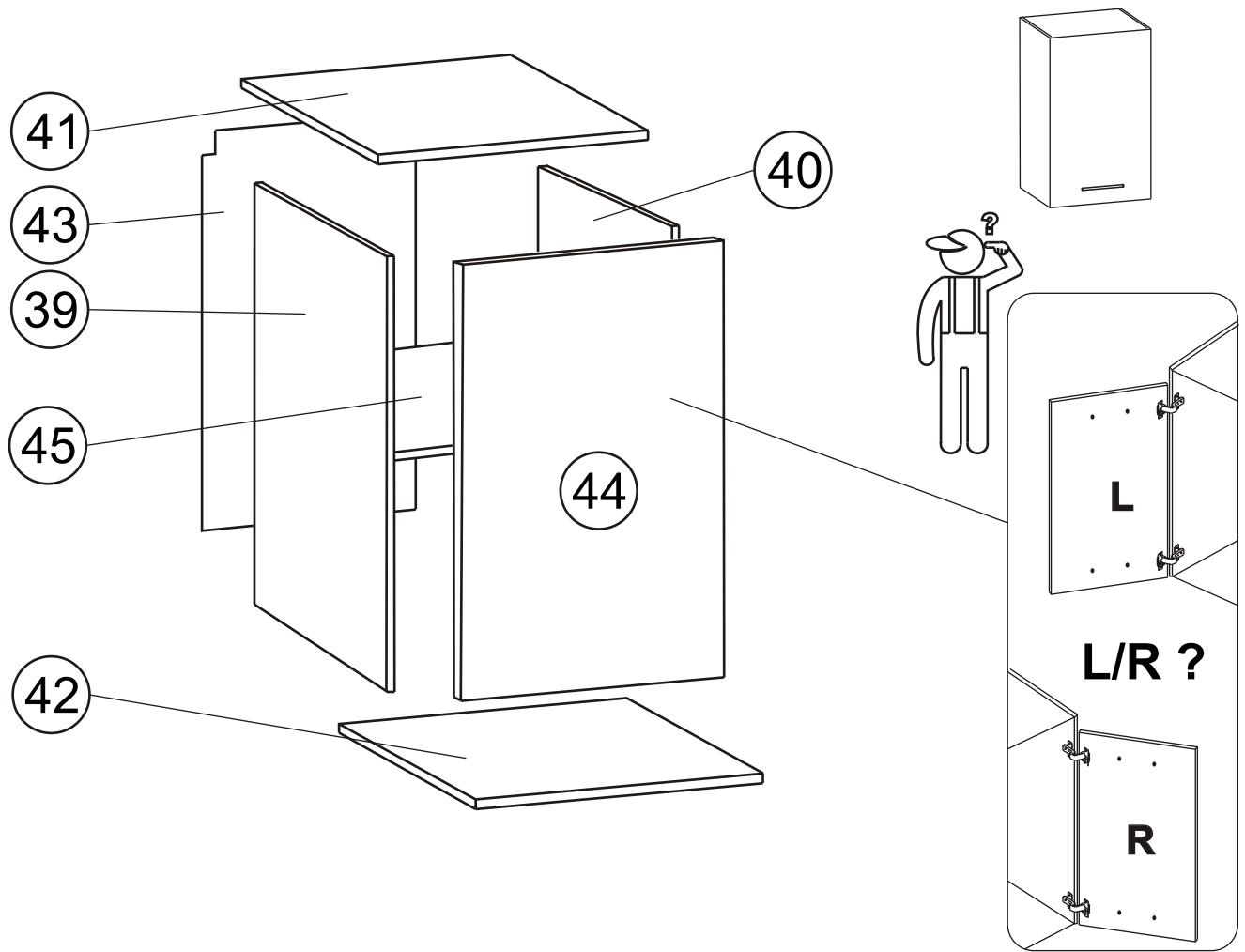


36



38



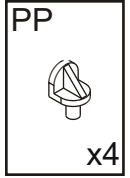
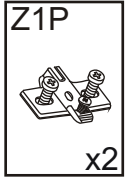
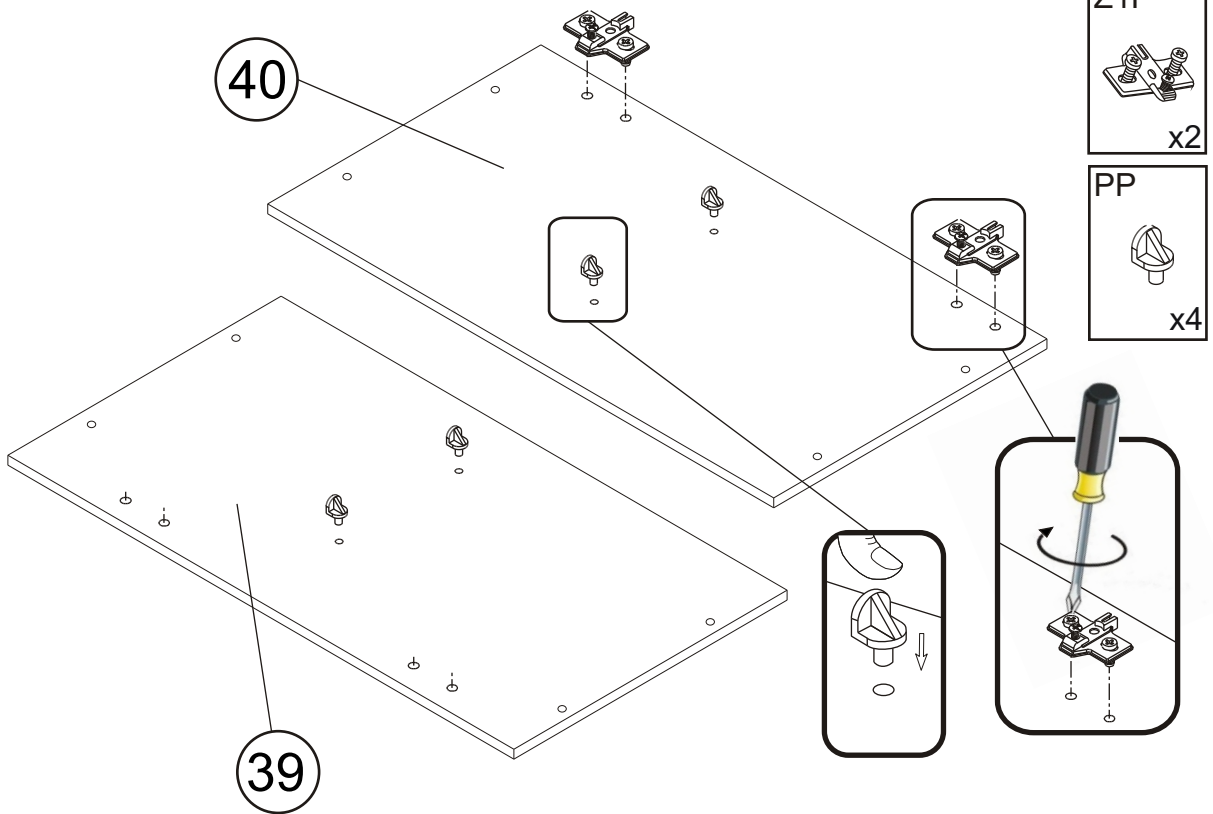
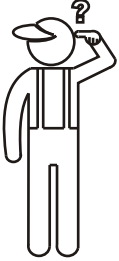


5/5	39	16x285x717	x1
	40	16x285x717	x1
	43	2.5x385x715	x1
	45	16x367x270	x1
	42	16x367x282	x1
	44	16x396x713	x1

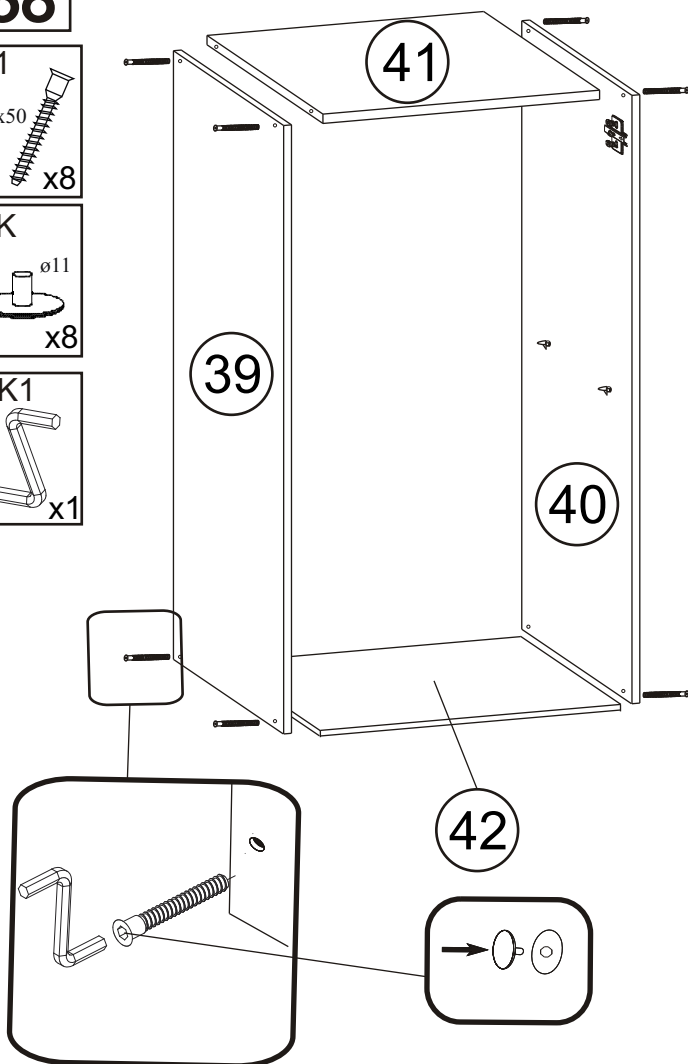
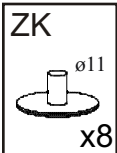
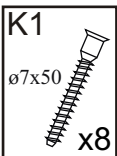
K1 x8	Z1 x2	Z1P x2	KK1 x1	ZK x8
WK1 x1	 x2	U31 x1	U31A2 x2	W3 x4
W4 x4	G1 x18	PP x4	ZRS1 x2	POP x2

37

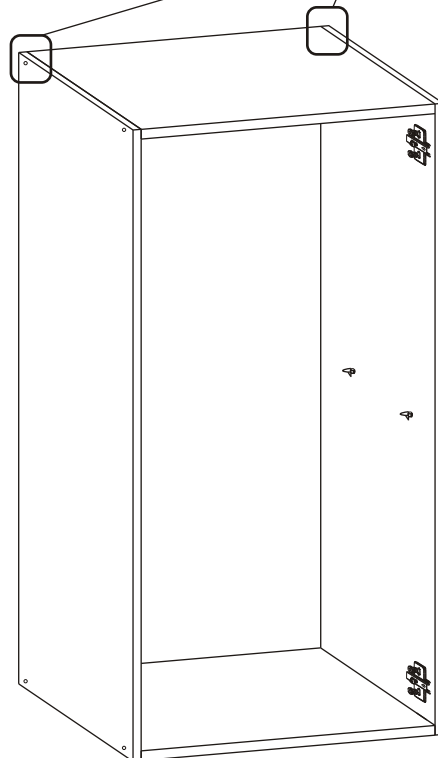
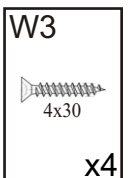
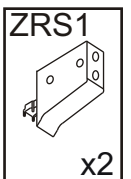
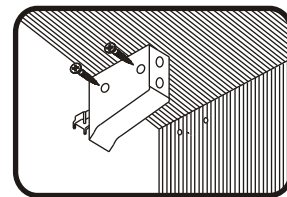
L/R ?



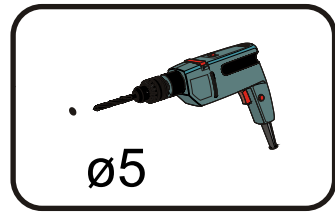
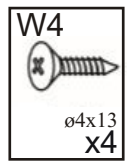
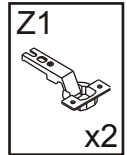
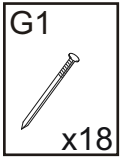
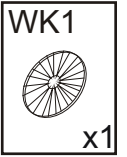
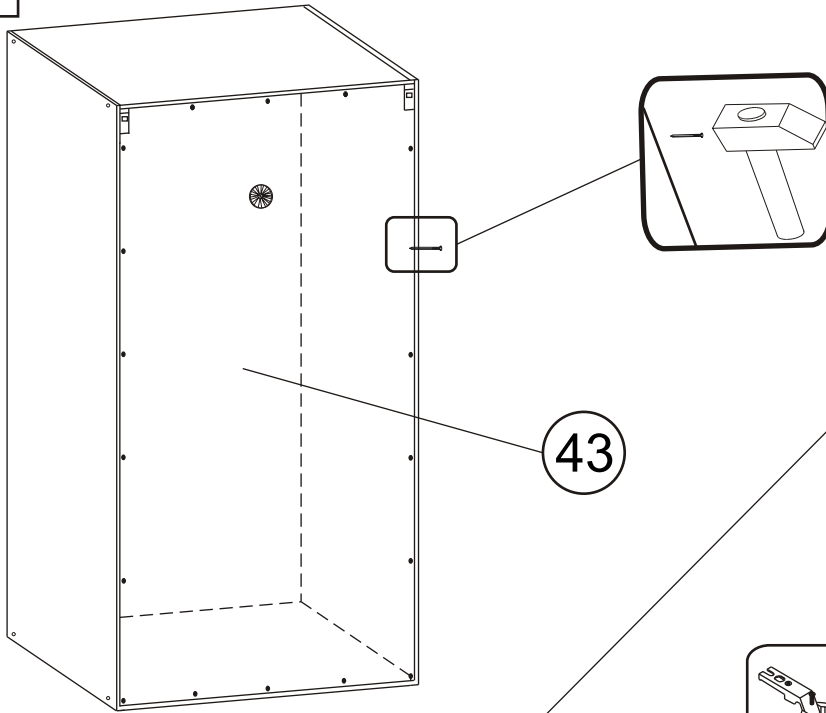
38



39

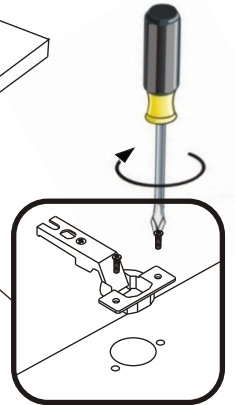
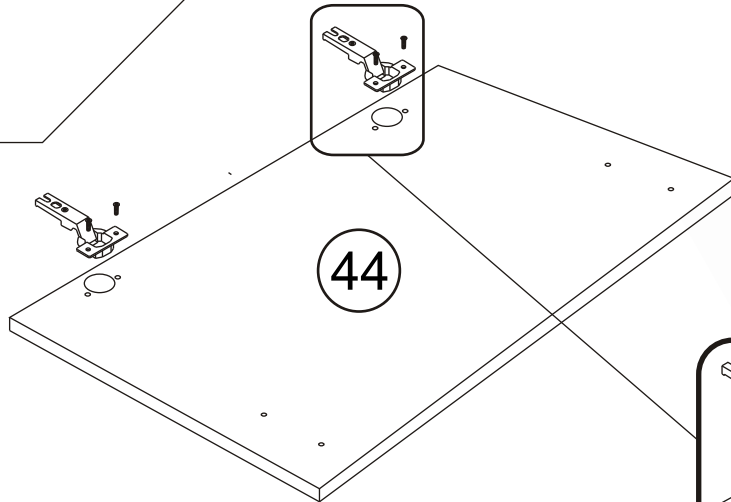
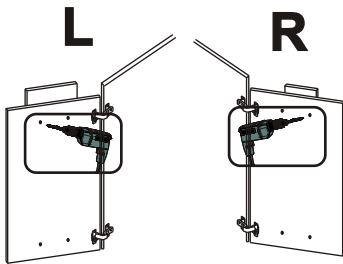
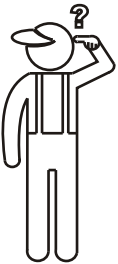


40

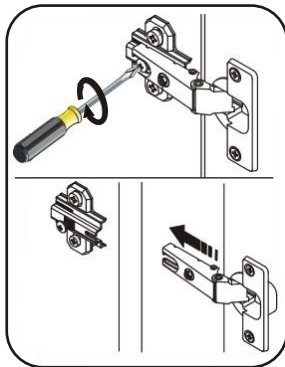


41

L/R ?



42



45

